

Palm Beach™ Polysatin Shutters



Palm Beach™



RECTANGULAR SHUTTERS

- Standard hinged panels
- Bi-fold track configurations
- Bypass track configurations

Special applications include:

- Bay and corner windows
- Bypass open louver track configurations
- Bypass triple track configurations

Operating systems include:

- Palmetto™ traditional front tilt
- TruView™ rear tilt
- Lantana™ hidden operating system

INNOVATION

Palm Beach shutters with the advanced DuraLux™ Finish combine the beautiful look of a finely painted shutter with the unmatched durability of Polysatin.

INSTALLER FRIENDLY

Palm Beach Polysatin shutters are designed for quick and easy installation by a Hunter Douglas certified installer.

CERTIFICATIONS

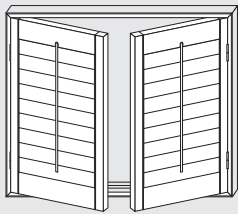
- Palm Beach Polysatin shutters have achieved GREENGUARD GOLD Certification.
- GREENGUARD Listed for Microbial Resistance
- NFPA 701 Flame Retardant



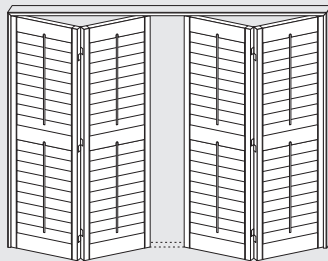
| CONTENTS | Page |
|---------------------------|-------------|
| Size Standard | PB-2 |
| Shutter Basics | PB-3 |
| Standard Hinged Panels | PB-5 |
| Frames | PB-5 |
| Measuring Guidelines | PB-10 |
| Panel Configurations | PB-14 |
| Bay Windows | PB-20 |
| Corner Windows | PB-22 |
| Bi-Fold and Bypass Tracks | PB-24 |
| Frames and Components | PB-24 |
| Measuring Guidelines | PB-27 |
| Panel Configuration | PB-29 |

STRUCTURAL STRENGTH AND SAFETY

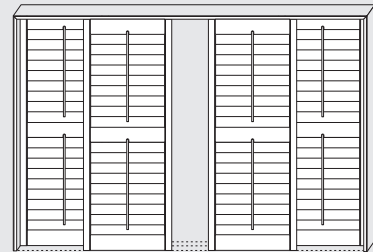
Key elements of Palm Beach Polysatin shutters, such as stiles, louvers and T-Posts, are reinforced with aluminum and molded resin blocks, adding exceptional stability to the shutter panels.



Standard Hinged Panel
Configurations
PB-14



Bi-Fold Track Configurations
PB-29



Bypass Track Configurations
PB-33

Size Standards

PALM BEACH™ POLYSATIN SHUTTERS

HOW TO USE THE SIZE STANDARDS CHARTS

The Size Standards charts are designed to be a quick reference to size standards and where to find further size specifications. Further size specifications are referenced by the page number next to the configuration heading. Always read the notes under the chart for important additional information. Important: shutter dimensions must be equal to or less than the maximum dimensions (width and height) and equal to or greater than the minimum dimensions (width and height) to be within specification guidelines.

| PANEL SIZE STANDARDS (Not Including Frames) | Standard Hinged Panels (PB-14) | | | | | | Track Configurations (PB-29) | | | | | |
|--|--------------------------------|------------------|------------------|---------------------------|------------------|------------------|------------------------------|------------------|------------------|------------------|------------------|------------------|
| | Individually Hinged | | | Bi-Fold Hinged (No Track) | | | Bi-Fold Track | | | Bypass Track | | |
| | 2½" Louvers | 3½" Louvers | 4½" Louvers | 2½" Louvers | 3½" Louvers | 4½" Louvers | 2½" Louvers | 3½" Louvers | 4½" Louvers | 2½" Louvers | 3½" Louvers | 4½" Louvers |
| Minimum Panel Width: | 12" ¹ | 12" ¹ | 12" ¹ | 12" | 12" | 12" | 12" | 12" | 12" | 12" | 12" | 12" |
| Maximum Panel Width: | 36" ² | 36" ² | 36" ² | 24" ² | 24" ² | 24" ² | 24" | 24" | 24" | 36" | 36" | 36" |
| Minimum Panel Height: | 12" ³ | 14" ³ | 17" ³ | 12" ³ | 14" ³ | 17" ³ | 12" ³ | 14" ³ | 17" ³ | 12" ³ | 14" ³ | 17" ³ |
| Maximum Panel Height: | 120" | 120" | 120" | 120" | 120" | 120" | 120" | 120" | 120" | 120" | 120" | 120" |

1 Panel widths under 12" are available for no surcharge. Minimum panel width is 7".

2 Individually Hinged double-hung maximum width is 30"; Bi-Fold (no track) double-hung maximum width is 20".

3 Hunter Douglas does not recommend panels under 18" in height due to the excessive louver overlap that can occur. Absolute minimum panel heights based on 2" rail sizes are 8⁷/₈" for 2½" louvers; 10⁷/₈" for 3½" louvers; and 12⁷/₈" for 4½" louvers.

Absolute minimum panel heights based on 4" rail sizes are 12" for 2½" louvers; 14" for 3½" louvers; and 17" for 4½" louvers.

Notes:

- Minimum and maximum total widths including frames: Refer to the panel configurations starting on pages PB-14 and PB-29.
- Top and bottom rails:
 - Rail size: Chart dimensions are for 4" top and bottom rails; 2" rail can only used on panels 36" or less in height (except double-hung).
- Divider rails:
 - Requirements: Panels over 60" in height require one divider rail. Panels over 90" in height require two divider rails.
 - Other specifications: Maximum space between divider rails is 60". There must be a minimum of two louvers between divider rails and the top or bottom rail.
- Tie louvers: To ensure panel strength, a tie louver will be used on panels between 50" and 60" with no divider rail.
- Hinges: Number of hinges per panel height are 2 hinges up to 35"; 3 hinges 35¹/₁₆" to 64"; 4 hinges 64¹/₁₆" to 91"; 5 hinges 91¹/₁₆" to 110"; and 6 hinges 110¹/₁₆" to 120".
- Splicing: Frames and valances over 180" in may require splicing.

Shutter Basics

PALM BEACH™ POLYSATIN SHUTTERS

SHUTTER TERMINOLOGY

The basic shutter assembly is a panel hinged to a frame. The panel consists of louvers which pivot open and closed, with stiles on the sides and rails on the top and bottom. Astragal is standard on the back of the left panel and provides a light blocking feature.

OPERATING SYSTEMS

Shutter louvers open and close using either a tilt bar linked to the louvers or an internal gear system located in the stiles.

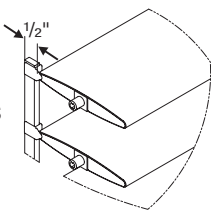
PALMETTO™ FRONT TILT

A traditional tilt bar can be ordered in the traditional location — front center on the panel (F), on the front hinge side of the panel (FH), or the front hinge opposite side of the panel (FO) connected to the edge of the louvers with the Duralink™ tilt bar cufflinks.

Important: When opening and closing the shutter panel, do not use the tilt bar.

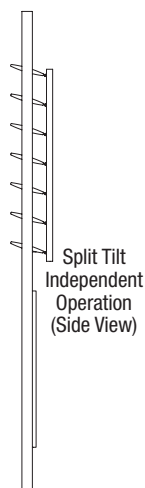
TRUVIEW™ REAR TILT

The TruView™ rear tilt bar option is available for rear tilt applications. It is attached to the ends of the louvers with a connector on the panel hinge side (R) or on



the side opposite hinge (RO). There is no surcharge for TruView rear tilt.

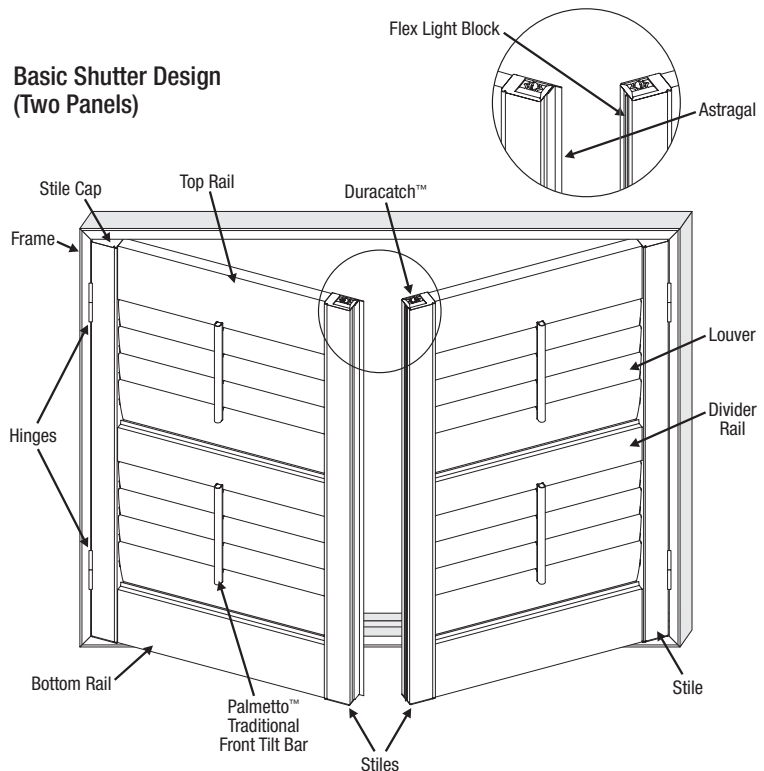
Rear clearance of 3/4" is required. This includes the 1/4" standard recommended clearance and 1/2" clearance for the rear tilt bar.



LANTANA™ HIDDEN OPERATING SYSTEM

The Lantana™ system is a patented operating system that provides expanded view with no visible tilt bar.

Basic Shutter Design (Two Panels)



SPLIT TILT BARS

- Split tilt bars can be specified for increased operational flexibility.
- Split front tilt bars can limit range of movement for both top and bottom sections.
- Split tilt bars can be specified on panels with or without divider rails.
- Enter split tilt height on the order form to indicate split tilt location.

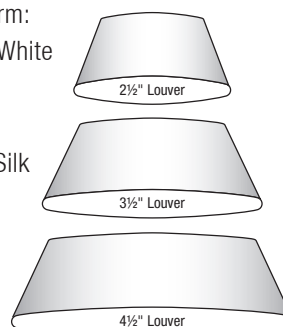
LOUVER SIZES

Three louver sizes are available: 2 1/2", 3 1/2" and 4 1/2". They are supplied with "concealed louver caps" inset into the louver. This ensures a sleek, finished look.

Product Color Options

Specify louver color number and name on the order form:

- 5136 Bright White
- 5137 White
- 5138 Linen
- 5151 White Silk



SHUTTER HINGES

Hinges are available in a range of colors and finishes to coordinate with shutter color and room décor. Stainless steel hinges are available for a surcharge.

All shutter panels come standard with lift-off hinges and removeable pins packed in the hardware.

Hinge Color Options

Specify hinge color number on the order form. Note that stainless steel hinges are available for a surcharge. Recommended product colors are shown in parentheses.

- 006 Brass Finish
- 007 Antique Brass Finish
- 008 Brushed Nickel Finish
- 011 Stainless Steel
- 051 White Silk (5151 White Silk)
- 136 Bright White (5136 Bright White)
- 137 White (5137 White)
- 138 Linen (5138 Linen)

PANEL CLOSURE

Duracatch

This exclusive closure system, with an adjustable tension feature, securely holds the shutter panels closed.

Shutter Basics

PALM BEACH™ POLYSATIN SHUTTERS

STANDARD HINGED PANELS (SH)

Standard hinged panels can consist of multiple shutter panels in a variety of configurations. In addition to being hinged from the frames, panels may be hinged from T-Posts, which serve as intermediate vertical supports. Two panels may also be hinged together in a Bi-Fold panel design. Although unframed shutters are available, frames help compensate for out-of-square openings, offer superior light blockage and add a decorative style to the window or door opening.

Some of the more common types of standard hinged panels are illustrated in the Standard Hinged Panel Configurations section beginning on page PB-19.

Standard hinged panels are also available in a variety of special applications, including shutters for bay and corner windows. These special applications are described in detail beginning on page PB-20.

BI-FOLD TRACK (BF)

In a Bi-Fold track configuration, the shutter panels are connected to a top track which both supports the panels and guides their folding movement. Up to eight panels may be hinged together in a Bi-Fold track configuration.

A special Bi-Fold Frame is used with Bi-Fold track configurations. The frame accommodates the track and minimizes light leaks. The track may also be attached directly to the ceiling or inside the window opening without a frame. A bottom floor track is recommended for all Bi-Fold track configurations to minimize panel sag and keep the panels from swinging in and out of the opening. Possible panel arrangements in a Bi-Fold track configuration are illustrated beginning on page PB-29.

BYPASS TRACK (BP)

Shutter panels in a Bypass track configuration are not hinged. Instead, they slide on top tracks to open and close. Two or three tracks are required so that the panels, or connected sets of panels, can slide past each other.

The tracks can be attached to a special Bypass frame or directly to the door opening. In door openings, the frames are usually three-sided, with floor guides attached to the floor.

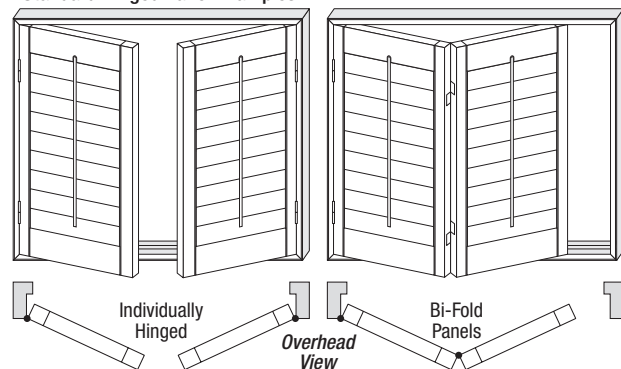
Panel arrangements for Bypass track configurations are illustrated beginning on page PB-33.

Bypass Open Louver Track (BO)

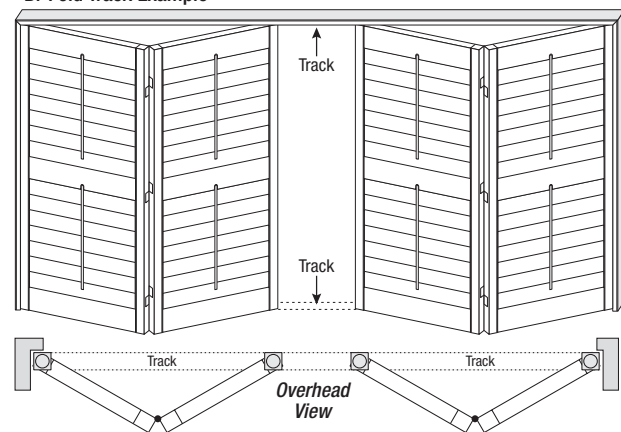
The Bypass Open Louver track configuration is similar to the Bypass track configuration except it has additional projection so that louvers can be opened when the panels are positioned in front of one another.

A maximum of two tracks is allowed with this configuration.

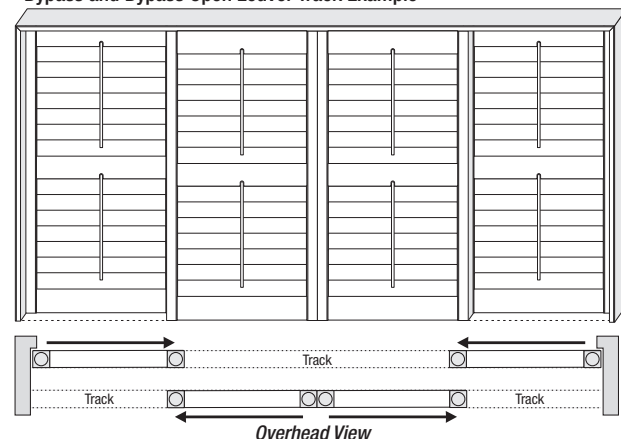
Standard Hinged Panel Examples



Bi-Fold Track Example



Bypass and Bypass Open Louver Track Example



Bypass Triple Track (BT)

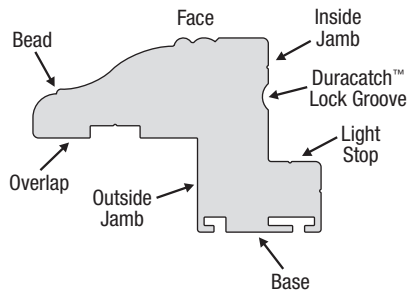
The Bypass Triple Track configuration uses the same frame as the Bypass Open Louver configuration, but with three tracks instead of two. Available in select panel configurations, the use of three tracks increases the amount of view through to two-thirds of the opening instead of one-half with a standard bypass track configuration.

Standard Hinged Panels - Frames

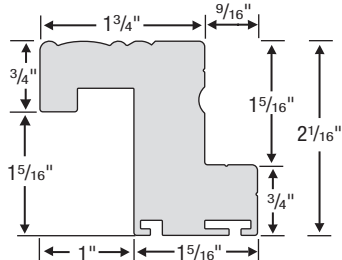
PALM BEACH™ POLYSATIN SHUTTERS

FRAME TERMINOLOGY

Common frame terminology is shown in the illustration below.



STANDARD Z-FRAME (Z21)

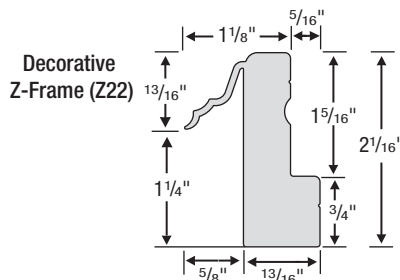


- Mounting type: inside mount only
 - Minimum mounting depth: 1⁵/₁₆"
 - Face width: 1³/₄"
 - Base width: 1⁵/₁₆"
 - L-Frame can be used as Sill Frame
- Standard Z-Frame Features**
Designed with classic beading on the face, the Standard Z-Frame gives the window a finished look by providing a 1³/₄" wide frame around the opening. It is installed inside the window opening at a depth of 1⁵/₁₆" plus louver clearance, if necessary. The face provides an overlap of 1" to accommodate out-of-square windows.

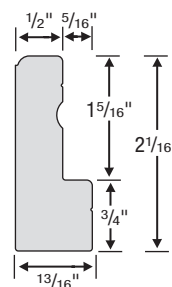
Note

- The distance that the frame flange overlaps the wall may vary due to installation allowances and ordered size.

DECORATIVE Z-FRAME (Z22)



Decorative/Classic Z-Sill (S22)

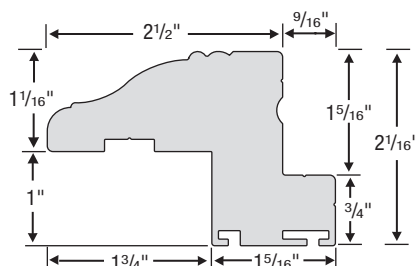


- Mounting type: inside mount only
- Minimum mounting depth: 1¹/₄"
- Face width: 1¹/₈"
- Base width: 1³/₁₆"
- Decorative/Classic Z-Sill (S22) is the Sill Frame option.

Decorative Z-Frame Features

The flange of the Decorative Z-Frame blends well with existing trim. The frame is installed in the window opening at a depth of 1¹/₄" plus louver clearance, if necessary. The face provides an overlap of 5/8" to easily accommodate out-of-square windows. The Decorative Z-Frame may be ordered with the Decorative/Classic Z-Sill Frame at the bottom for openings with a window sill. Because the face has been removed, the bottom frame will sit flat on the sill.

COLONIAL Z-FRAME (Z23)

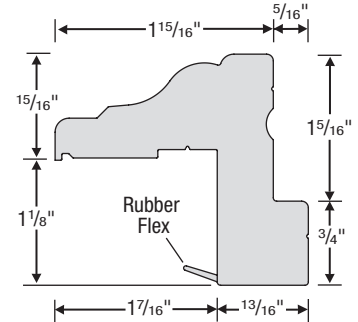


- Mounting type: inside mount only
- Minimum mounting depth: 1"
- Face width: 2¹/₂"
- Base width: 1⁵/₁₆"
- L-Frame is used as Sill Frame

Colonial Z-Frame Features

The 2¹/₂" face of the Colonial Z-Frame adds elegance to any installation with its decorative and timeless design. It is installed inside the window opening at a depth of 1" plus louver clearance, if necessary. The face provides an overlap of 1³/₄" to easily accommodate out-of-square windows.

CLASSIC Z-FRAME (Z24)



- Mounting type: inside mount only
- Minimum mounting depth: 1¹/₈"
- Face width: 2"
- Base width: 1³/₁₆"
- Decorative/Classic Z-Sill (S22) is the Sill Frame option.

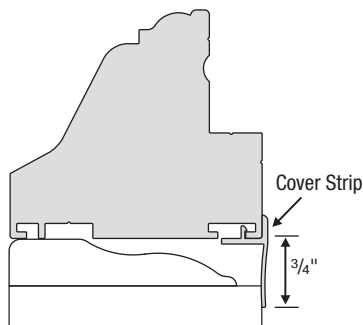
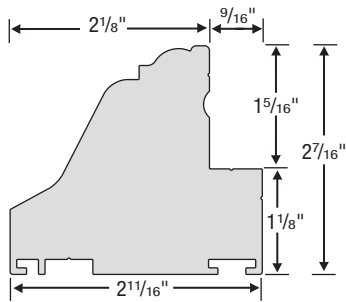
Classic Z-Frame Features

The 2" face of the Classic Z-Frame is designed to coordinate with most trim and molding. It is installed inside the window opening at a depth of 1¹/₈" plus louver clearance, if necessary. The face provides an overlap of 1⁷/₁₆" to easily accommodate out-of-square windows. The frame has a flexible strip that extends from the back of the frame to cover the gap between the frame and the wall and conceal installation screws.

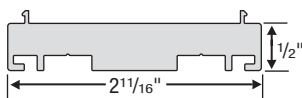
Standard Hinged Panels - Frames

PALM BEACH™ POLYSATIN SHUTTERS

DELUXE CASING FRAME (C21)



With Cover Strip Option



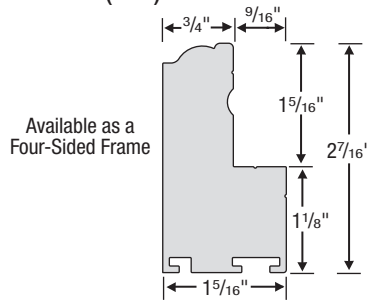
Deluxe Casing Frame Build-Out

- Mounting type: outside mount only
- Face width: 2 1/8"
- Base width: 2 11/16"
- Installed on the wall or directly on top of an existing trim
- Deluxe Casing Sill/Extended L-Frame (S21) can be used as Sill Frame

Deluxe Casing Frame Features

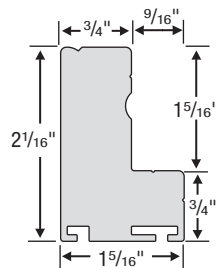
When installing on top of an existing trim, an optional Casing Frame cover strip may be requested in the special instructions section on the order form. The Casing Frame cover strip covers the gap created between the back of the frame and the front of the trim. The cover strip is inserted into the Casing Frame. The Casing Frame build-out adds 1/2" projection to the shutter. May be ordered with Sill Frame at the bottom for openings with window sill.

DELUXE CASING SILL/EXTENDED L-FRAME (S21)



- Mounting type: inside or outside mount
- Flush inside mounting depth: 2 7/16" (plus louver clearance if necessary)
- Minimum flat outside mounting surface: 1 5/16"
- Face width: 3/4"
- Base width: 1 5/16"

STANDARD L-FRAME (L21)



- Mounting type: inside or outside mount
- Flush inside mounting depth: 2 1/16" (plus louver clearance if necessary)
- Minimum flat outside mounting surface: 1 5/16"
- Face width: 3/4"
- Base width: 1 5/16"
- L-Frame is used as Sill Frame

Standard L-Frame Features

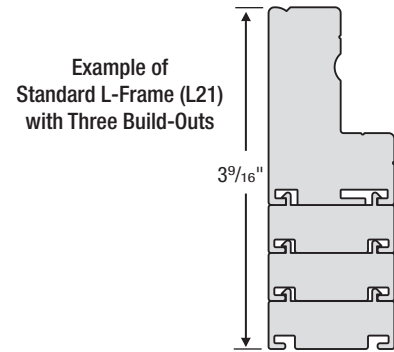
As an inside mount, the frame is installed directly into the window opening. It may be mounted at various depths within the opening, depending on clearance.

As an outside mount, the frame can be mounted on the outside perimeter of the window opening.

Note: Outside mount L-Frames are not punched for the corner key since the punched hole would be visible. Glue is used to lock the key in place.

The optional Standard L-Frame cover strip covers the gap created between the back of the frame and the window trim and may be ordered in the special instructions on the order form for field installation.

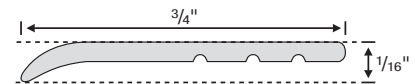
FRAMES WITH BUILD-OUTS



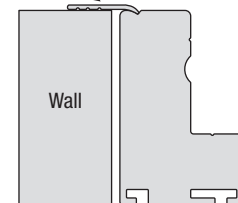
The L-Frame, Deluxe Casing Sill/Extended L-Frame, and Deluxe Casing Frame can be used with build-outs in 1/2" increments up to a maximum of three build-outs.

- One build-out equals 1/2"
- Two build-outs equal 1"
- Three build-outs equal 1 1/2"

STANDARD L-FRAME COVER STRIP (CS)

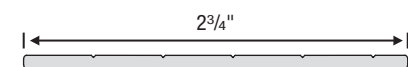


Cover Strip (CS)



- Cover strip can be used to cover light gaps, installation screws and window irregularities. Cover strip is available on all IM L-Frame applications.
- Glued to the front or back of the frames.
- Cover strip is supplied in 16-foot rolls.
- Scoring lines allow for custom installation.

SCRIBE

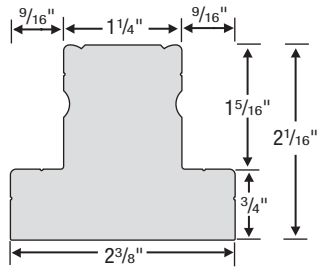


- Thin piece of flat vinyl that can be cut into strips or small pieces and used as shims. Can also be added behind or on the side of a panel or frame in order to block light. Includes five score lines spaced 1/2" apart for easy cutting and measuring.

Standard Hinged Panels - Frames

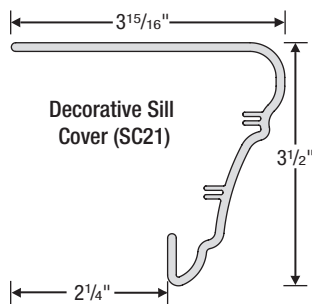
PALM BEACH™ POLYSATIN SHUTTERS

T-POST



- Notched to fit into the frames or can be installed to an existing opening with L-brackets.

DECORATIVE SILL COVER (SC21)



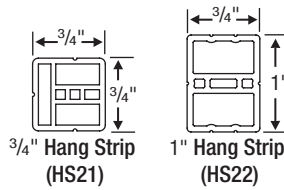
- Mounting type: inside or outside mount
- Minimum mounting depth: matches frame used on opening
- Face height: 3 1/2"
- Can be used with three and four-sided framed units as well as unframed applications
- Four-sided framed applications require a Sill Frame bottom
- Decorative sill covers cannot be used with build-out

Decorative Sill Cover Features

The decorative sill cover is perfect for covering projecting window sills and can also be used on drywall openings to create the look of a custom trimmed window.

Note: Depth will vary based on sill type.

HANG STRIP (HS)

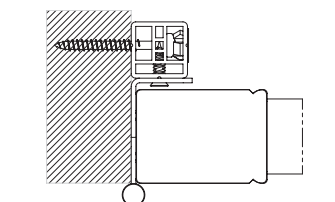


Hang Strip Features

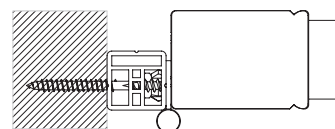
The hang strip can be used as an alternative mounting method when the regular frames are not appropriate or desired. A two-sided framing option, the hang strip can be inside or outside mounted. The hang strip can be mounted to the side(s) (HSS) of the shutter panel or behind it (HSB). Hang strip to the side (HSS) applications can only be ordered as inside (IM) mount.

On IM applications, the hang strip will be 1/16" shorter than the ordered height to ensure there is space for the hang strip to be mounted to the inside of the opening. When ordering hang strips, two pieces of 3/4" hang strip will be provided for the top and bottom of the opening for inside mount only.

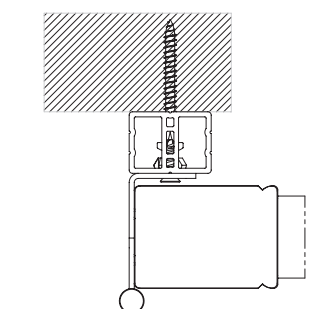
Hang Strip Applications



Inside Mount Application
3/4" x 3/4" Hang Strip and Wrap-Around Hinge
(Order HSB and HS21)

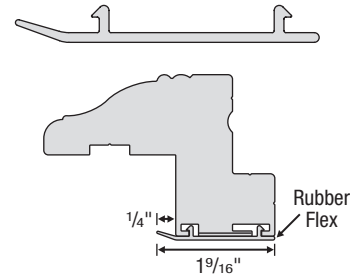


Inside Mount Application
3/4" x 3/4" Hang Strip and Standard Hinge
(Order HSS and HS21)



Outside Mount Application
1" x 3/4" Hang Strip and Wrap-Around Hinge
(Order HSB and HS22)

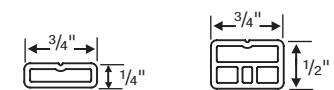
RUBBER FLEX



Colonial Z-Frame with Rubber Flex

- Optional feature designed to minimize light gaps on the back of Z-Frames and L-Frames if an inside mount.
- When rubber flex is ordered, the following deductions are taken on 4-sided frames:
 - Classic Z-Frame: 1/2" (1/4" per frame side)
 - Colonial Z-Frame, Standard Z-Frame, Standard L-Frame: 3/8" (3/16" per frame side)
- Deductions on 3-sided frames:
 - Classic Z-Frame: 1/2" from 2 sides and 1/4" from 1 side
 - Colonial Z-Frame, Standard Z-Frame, Standard L-Frame: 3/8" from 2 sides (3/16" per side) and 3/16" from 1 side.
- Rubber flex is not available with the Decorative Z-Frame.

LIGHT STOP/ TRIM STRIP (LS)



Light Stop (LS21)

Light Stop (LS22)

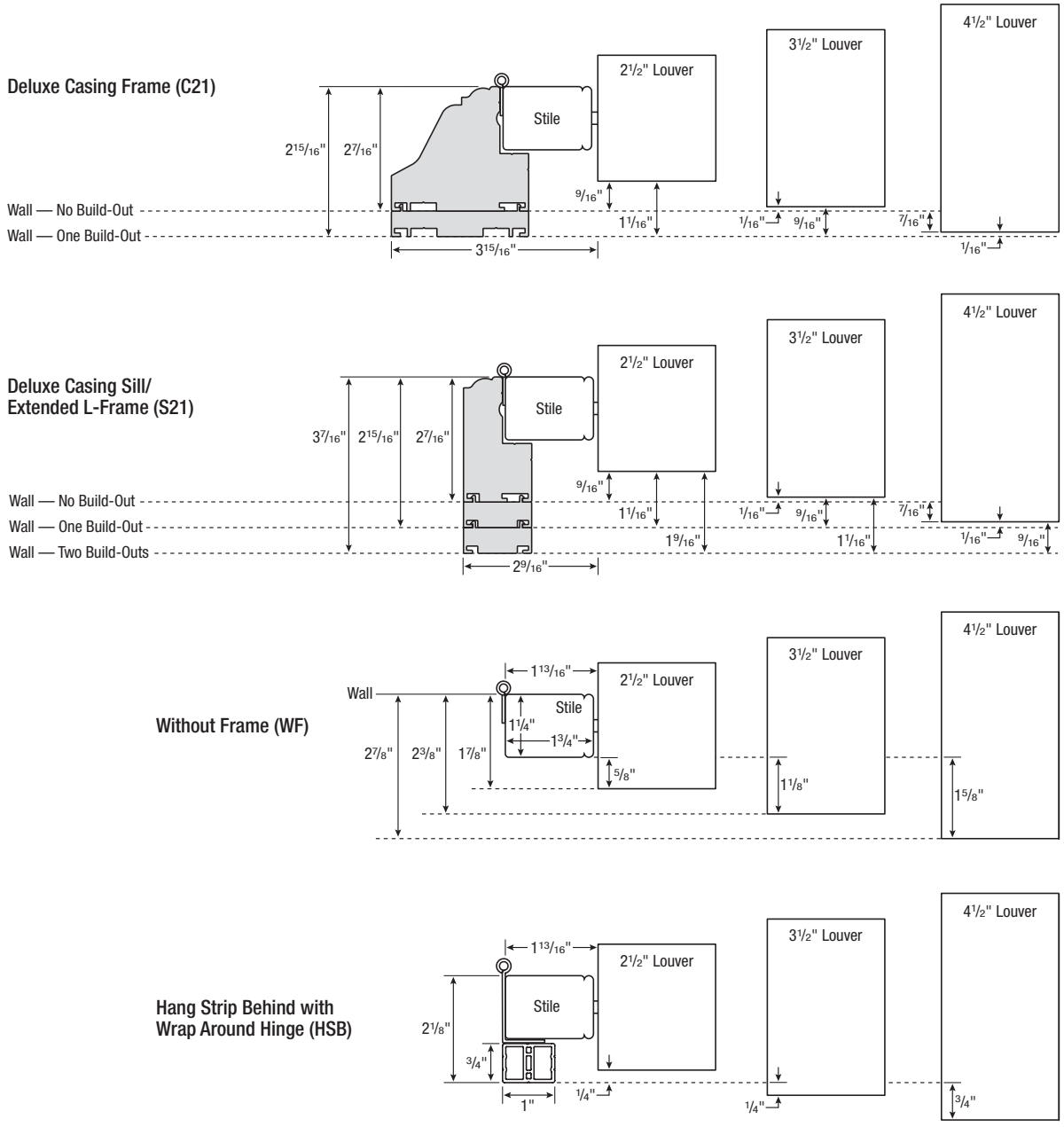
- Used as a sill light stop and filler strip.

Notes

- All frames are designed with integrated light stops.
- On without frame and hang strip inside mount applications or on sides where there are no frames, 3/4" hang strip will come standard to cover the gap between the panel and the opening.
- Light stop is not included as standard for tops of café units, track configurations or 3D applications.
- Additional lineal materials are available for finishing or detailing the installation.

Standard Hinged Panels - Louver Clearance

PALM BEACH™ POLYSATIN SHUTTERS



Notes

- For front tilt, with all frame types, allow an additional 1/4" for louver clearance from the back edge of the louvers.
- For TruView™ rear tilt, with all frame types, allow an additional 3/4" for clearance. This includes the 1/4" standard recommended clearance and the 1/2" clearance for the rear tilt bar.
- Always check for obstructions.

Standard Hinged Panels - Measuring Guidelines

PALM BEACH™ POLYSATIN SHUTTERS

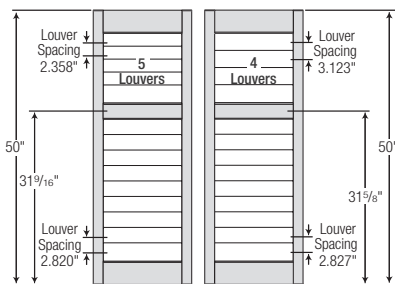
IMPORTANCE OF ACCURACY

Proper fit requires precise, accurate measurements. It is essential to use a quality steel tape measure. Measure all windows, even though they may appear to be identical. Measurements should indicate the width

first, then the height. Always measure to the nearest $\frac{1}{16}$ ".

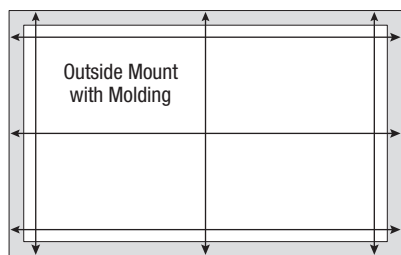
Notes:

- Cranks, latches, depth and squareness of the window opening must also be considered.
- Ordering openings with minor height variations may result in differences in louver count and louver spacing as shown in the example below. To avoid this issue order all openings of similar height with the exact same height, divider rail location, split tilt, etc.



Outside Mount Frames — On Molding

- A. Measure the width and height from outside of molding to outside of molding in three places, as indicated below. Order the largest size.



The ordered measurements will be the finished size of the shutter including the frame.

Outside Mount Frames — Around Molding

Note: Take into consideration the construction of the window to ensure sufficient mounting space and a secure attachment to the wall stud or window framing.

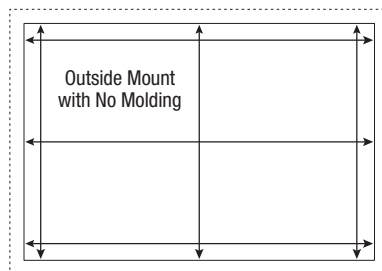
- A. Measure the width and height in three places, as described above.
 B. To determine ordered size, add the appropriate overlap factors from the Outside Mount Frame Overlap chart.

Ordered measurements will be the finished size of the shutter including the frame.

Note: Depending on molding width, molding may be visible when the louvers are open. Check for louver clearance to determine if build-out is required.

Outside Mount Frames — No Molding

- A. Measure the width and height inside the opening in three places, as illustrated below. Record all three measurements.



- B. To determine ordered size, add the appropriate overlap factors from the Outside Mount Frame Overlap chart. The ordered measurements will be the finished size of the shutter including the frame.

Outside Mount Frame Overlap

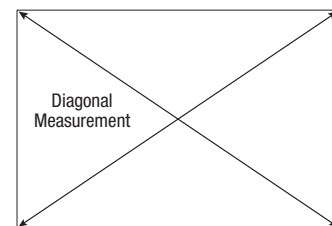
| Frame type | Overlap per frame side |
|------------------------------------|------------------------|
| L-Frame (L21) | $1\frac{9}{16}$ " |
| Deluxe Casing Frame (C21) | $2\frac{15}{16}$ " |
| Casing Sill/Extended L-Frame (S21) | $1\frac{9}{16}$ " |
| Decorative/Classic Z-Sill (S22) | $1\frac{1}{16}$ " |

Note: Overlap factor provides for frame base plus $\frac{1}{4}$ " reveal per frame side. Add additional reveal when required.

Inside Mount Frames

For frame overlap, the Classic Z-Frame requires a $1\frac{1}{8}$ " flat surface, the Colonial Z-Frame requires a $1\frac{3}{4}$ " flat surface, and the Decorative Z-Frame requires a $\frac{5}{8}$ " flat surface. L-Frames fit inside the opening and require no overlap.

- A. Measure the width inside the opening at the top, middle and bottom. Order the smallest size. Factory takes deductions.
 B. Measure the height inside the opening at the left, center and right. Order the smallest size.
 C. To determine squareness, measure diagonally from top left to bottom right and from top right to bottom left. If the measurements are not equal, the opening is not square. Reduce the ordered size accordingly or if the measured difference is greater than $\frac{1}{2}$ " consider an outside mount.



Inside Mount Framed Deductions

Your ordered measurements are the size from which frame deductions will be taken. Standard deductions for four-sided frames are shown below. Deductions will be taken from ordered width and height.

- $\frac{1}{4}$ " for Colonial Z-Frame, Standard Z-Frame and Standard L-Frame
- $\frac{3}{8}$ " for Colonial Z-Frame with rubber flex, Standard Z-Frame with rubber flex and Standard L-Frame with rubber flex
- $\frac{1}{2}$ " for Classic Z-Frame

On three-sided frames with no bottom frame, apply half of the deduction noted.

Note: With 3-sided door applications (3D), the factory will provide $\frac{5}{8}$ " panel-to-floor deduction.

Minimum Mounting Depths

For minimum mounting depths refer to the louver clearance diagrams on pages PB-8 and PB-9.

Standard Hinged Panels - Measuring Guidelines

PALM BEACH™ POLYSATIN SHUTTERS

Inside Mount without Frame

Very precise measurements are required for the proper installation of unframed shutter configurations. Measure width and height to the nearest $\frac{1}{16}$ ". Follow the same measuring procedures (steps A, B and C) as shown on page PB-15 for inside mounts with Z-Frames or L-Frames.

Standard panel deductions for inside mounts without frames are $\frac{3}{16}$ " from total ordered width and $\frac{1}{4}$ " from ordered height.

Note: Light stop is included to minimize the light gaps around panels.

Inside Mount Hang Strip Behind

Hang Strip Deductions: 1- or 2-Sided Only

A $\frac{1}{16}$ " deduction will be taken off the top of the hang strip and T-Post.

Panel Deductions

Standard panel deductions of $\frac{3}{16}$ " will be taken from ordered width and $\frac{1}{4}$ " from ordered height.

Note: With 3-sided door applications (3D), the factory will provide $\frac{5}{8}$ " panel-to-floor deduction.

Inside Mount Hang Strip to the Side

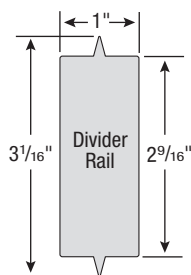
Hang Strip Deductions: 1- or 2-Sided Only

A $\frac{1}{16}$ " deduction will be taken off the top of the hang strip and T-Post. The hang strip to the side will mount directly to the window with no width deduction taken.

Panel Deductions

Panel deductions are taken from the inside of the hang strip width. Each hang strip is $\frac{3}{4}$ " wide. Standard panel deductions for inside mounts hang strip to the side are $\frac{3}{16}$ " from inside of hang strip and $\frac{1}{4}$ " from ordered height.

Note: With 3-sided door applications (3D), the factory will provide $\frac{5}{8}$ " panel-to-floor deduction.



Minimum Mounting Depths

For minimum flush mounting depths refer to the louver clearance diagrams on pages PB-8 and PB-9.

MEASURING FOR DIVIDER RAILS AND SPLIT TILT

Divider Rails

Divider rails add strength to shutter panels while providing versatility. With a divider rail in place, the separate sections of the shutter panel operate independently of each other.

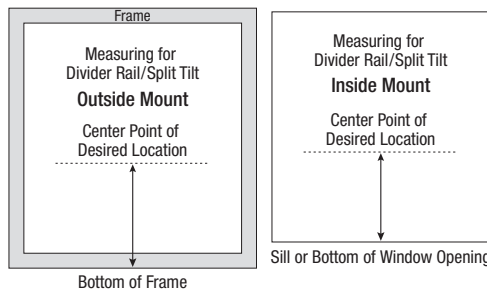
One divider rail is required for panels greater than 60" in height. Two divider rails are required for panels greater than 90" in height. See the notes on page PB-2 for more information on divider rail placement.

Divider Rail or Split Tilt Location

The divider rail or split tilt should be placed to meet customers' needs. You must indicate the location of the divider rail or split tilt.

Note: With multiple windows in the same room, order the same heights whenever possible to avoid visual misalignment.

- **Outside mount:** measure from the bottom of where the frame will be located to the center point of the desired location.
- **Inside mount:** measure from the bottom inside of the opening to the center point of the desired location.
- **Three-sided frames:** measure from the floor or sill to the center point of the desired location.

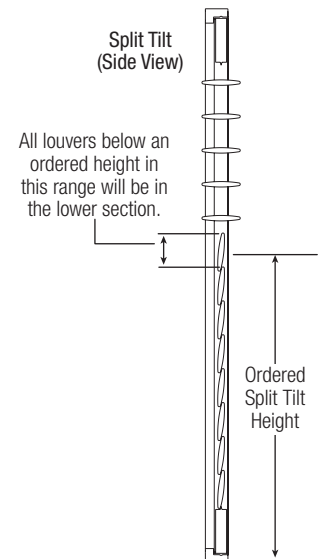
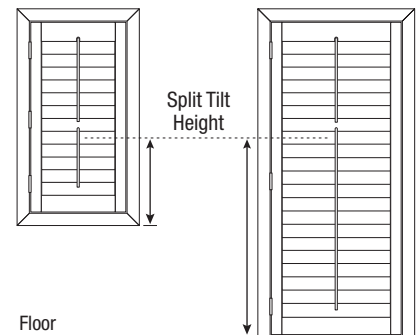
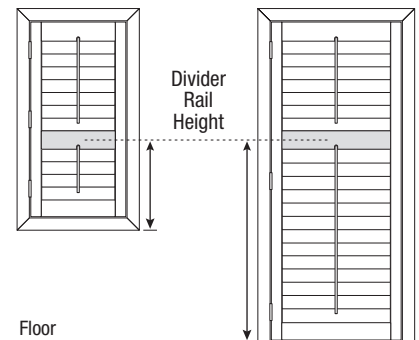


Notes

- In the closed position, the ordered split tilt height will be covered by the lower louver section.
- The top of the louver in the lower louver section, in the closed position, may be above the ordered split tilt location by as much as 2" with 2 1/2" louvers, 3" with 3 1/2" louvers and 4" with 4 1/2" louvers. If location is critical contact your fabricator.

Specifying Divider Rail or Split Tilt Locations on Windows of Different Heights

- Determine the common divider rail location for all windows.
- Mark the location on the molding or wall at the first window.
- Measure from the floor to the mark.
- Carry that measurement from the floor to all the other windows and mark the molding or wall at each location.
- Then measure up to the mark at all windows, following the procedure for outside mounts, inside mounts or three-sided frames.



Standard Hinged Panels - Measuring Guidelines

PALM BEACH™ POLYSATIN SHUTTERS

OPENINGS WITH T-POSTS

Using the T-Posts

The T-Post adds structural integrity to a shutter. It is inserted vertically into shutter frames to separate shutter sections and allow for placement of more panels within the same opening.

Ordering T-Posts

T-Posts can be ordered either by using exact measurements or by allowing the T-Posts to be factory adjusted to provide equal sized panels (EQP) throughout the opening.

Ordering with exact T-Post location

measurements: This will result in T-Posts being positioned at the exact ordered location. Panels between frames and T-Posts or between two T-Posts can be ordered in equal or unequal widths.

Ordering to receive equal sized panels or EQP:

All panels in the opening will be equal in width and the T-Posts will be positioned according to the ordered configuration. All that is needed for the order is the ordered width and the panel configuration.

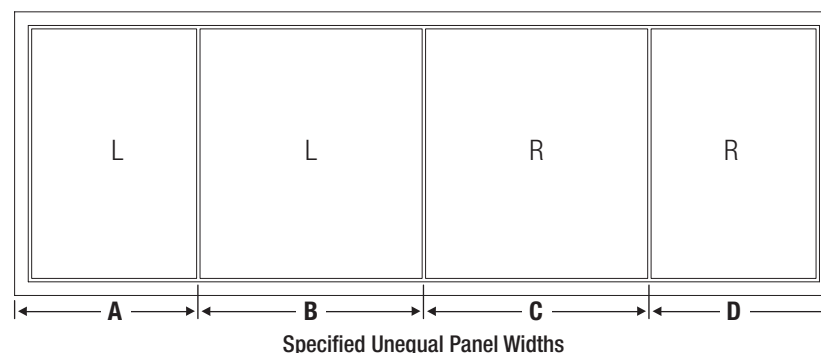
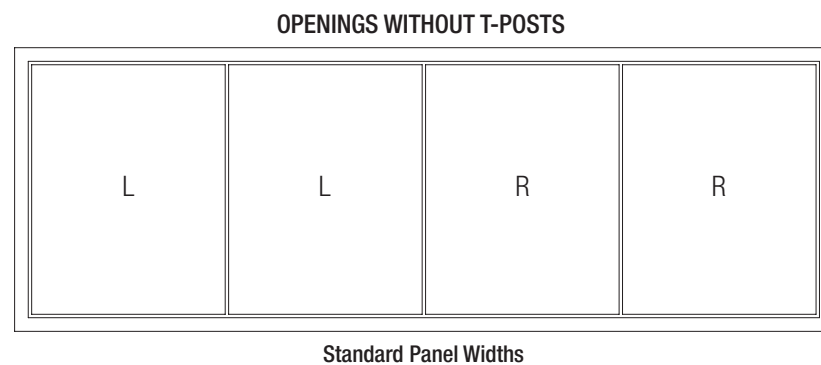
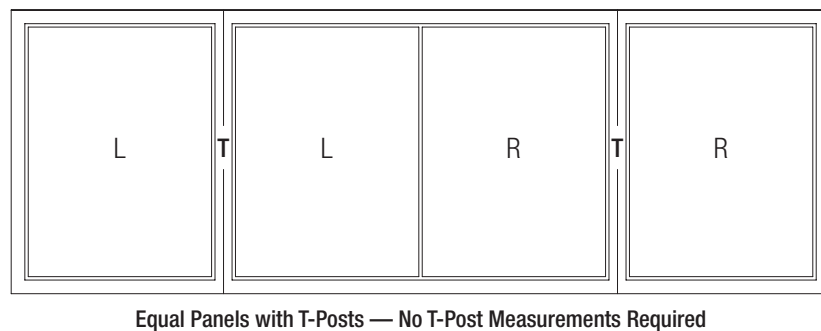
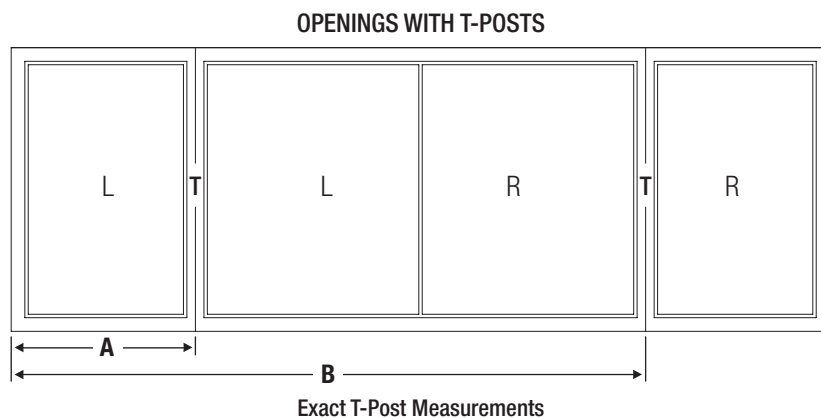
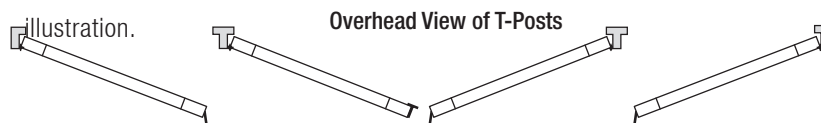
For special applications where varying panel widths are desired, all panels widths must be specified in special instructions on the order form.

Measuring for Exact T-Posts

- Measure from the left-most point of the overall ordered width (for outside mount, include frame adder) to the center of the first desired T-Post location.
- Measure from the left-most point of the overall ordered width to the center of the second desired T-Post location.
- Repeat this procedure for any additional T-Post locations.
- Enter the desired T-Post locations in designated section of the order form.

OPENINGS WITHOUT T-POSTS

As standard, panel widths will be equal within an opening. If varying panel widths are required, specify as unequal panels in special instructions on the order form and provide panel measurements as shown in the bottom



Standard Hinged Panels - Measuring Guidelines

PALM BEACH™ POLYSATIN SHUTTERS

USING THE DECORATIVE SILL COVER

The decorative sill cover is designed to cover projecting window sills.

Refer to the Decorative Sill Cover dimension chart to determine the finished dimension of the Decorative Sill Cover and maximum allowances for sill cover ears A, sill cover projection B, and sill cover depth into the opening C.

Ordering Considerations

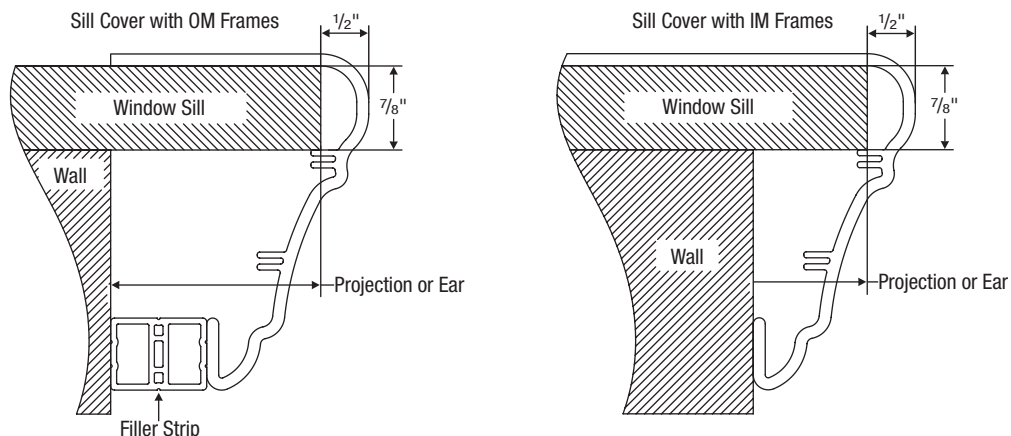
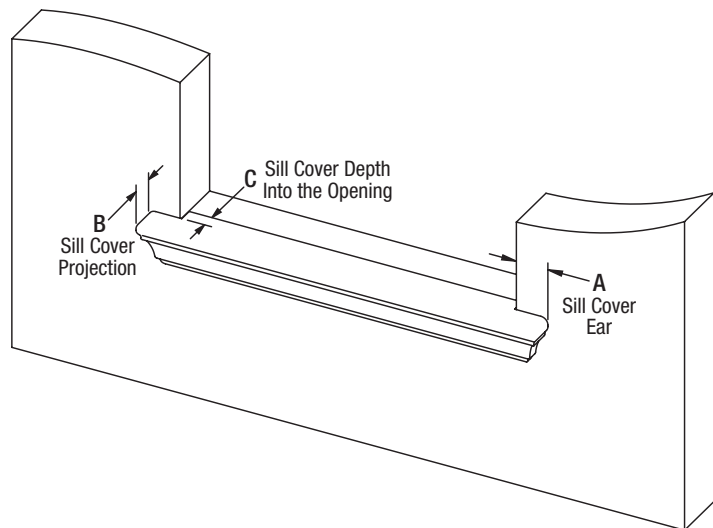
- Follow standard measuring practices, considering the Decorative Sill Cover dimension chart.
- The Decorative Sill Cover can be configured with all frame types; can also be used in without frame applications.
- Inside (IM) mount frames can be used with two-, three- or four-sided frames.
- Outside (OM) mount frames require a four-sided frame with a sill bottom frame.
- OM special applications require the opening width as well as the ordered width.
- All four-sided frames must be ordered with a sill bottom frame.
- T-Post installations are limited to four-sided frame applications.
- The Decorative Sill Cover can be ordered wider than the dimensions in the chart if necessary.
- Appropriate filler strips will accompany orders on OM applications to fill any gaps behind the Decorative Sill Cover.
- The back of the sill cover will align with the back of the frame.

Decorative Sill Cover Dimensions

| Frame Type | A | B | C |
|--|-----------------------------------|-----------------------------------|----------------------------------|
| Deluxe Casing Frame (C21) | 3 ⁹ / ₁₆ " | 2 ¹⁵ / ₁₆ " | 0" |
| L-Frame – OM (L21) | 2 ³ / ₁₆ " | 2 ³ / ₄ " | 0" |
| Deluxe Casing Sill/ Extended L-Frame – OM (S21) | 2 ³ / ₁₆ " | 2 ¹⁵ / ₁₆ " | 0" |
| L-Frame – IM (L21) | 1 ¹ / ₈ " | 1 ¹¹ / ₁₆ " | 2 ¹ / ₁₆ " |
| Deluxe Casing Sill/ Extended L-Frame – IM (S21) | 1 ¹ / ₈ " | 1 ¹¹ / ₁₆ " | 2 ¹ / ₄ " |
| Standard Z-Frame (Z21) | 1 ¹ / ₂ " | 1 ¹¹ / ₁₆ " | 1 ⁵ / ₁₆ " |
| Decorative Z-Frame (Z22) | 1 ¹ / ₈ " | 1 ¹¹ / ₁₆ " | 1 ¹ / ₄ " |
| Colonial Z-Frame (Z23) | 2 ¹ / ₄ " | 1 ¹¹ / ₁₆ " | 1" |
| Classic Z-Frame (Z24) | 1 ¹⁵ / ₁₆ " | 1 ¹¹ / ₁₆ " | 1 ¹ / ₈ " |
| Hang Strip Behind – OM (HSB) | 1 ⁷ / ₈ " | 2 ³ / ₄ " | 0" |
| Hang Strip to Side – IM (HSS) | 1 ¹ / ₈ " | 1 ¹¹ / ₁₆ " | 2 ¹ / ₁₆ " |
| Hang Strip Behind – IM (HSB) | 1 ¹ / ₈ " | 1 ¹¹ / ₁₆ " | 2 ¹ / ₈ " |

Notes:

- Maximum window sill ear width is 1/2" less than A value.
- Maximum window sill projection is 1/2" less than B value.
- Maximum window sill height is 7/8".
- On OM applications, the A value includes the standard 1/4" reveal.



Standard Hinged Panels Configurations

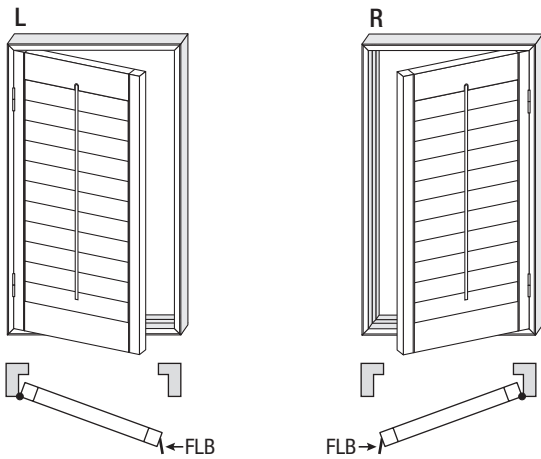
PALM BEACH™ POLYSATIN SHUTTERS

OVERVIEW

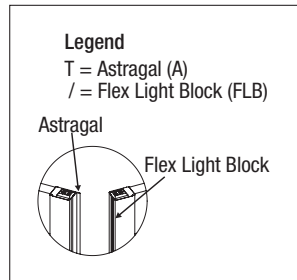
In this Panel Configurations section, some of the most popular shutter configurations are shown. Each configuration has a letter code, as well as minimum and maximum ordered widths. Order the shutter configuration by the example codes shown. Ordering panels in even numbers is often suggested because it allows for uniform folding when the panels are opened to the side of the window.

The use of a T-Post increases the number of possible panel combinations. Astragal and Flex Light Block is used on multiple panels to block light between panels. On multiple panel configurations, Astragal is standard on the rear of the left panel and Flex Light Block is standard on the right panel.

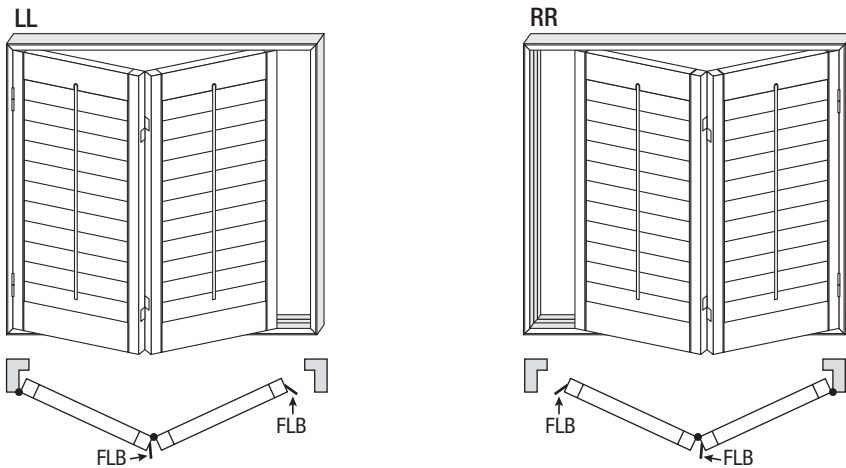
ONE PANEL



| ORDERED WIDTH | | | |
|---------------|---------------|------------------------------------|------------------------------------|
| Mount | Frame | Minimum | Maximum |
| IM | WF, HSB | 12 ³ / ₁₆ " | 36 ³ / ₁₆ " |
| | HSS | 13 ¹ / ₁₆ " | 37 ¹ / ₁₆ " |
| | Z22, Z24 | 13 ⁷ / ₁₆ " | 37 ⁷ / ₁₆ " |
| OM | L21, Z21, Z23 | 13 ¹⁵ / ₁₆ " | 37 ¹⁵ / ₁₆ " |
| | WF, HSB | 12" | 36" |
| | L21, S21 | 13 ¹ / ₁₆ " | 37 ¹ / ₁₆ " |
| | C21 | 16 ⁷ / ₁₆ " | 40 ⁷ / ₁₆ " |

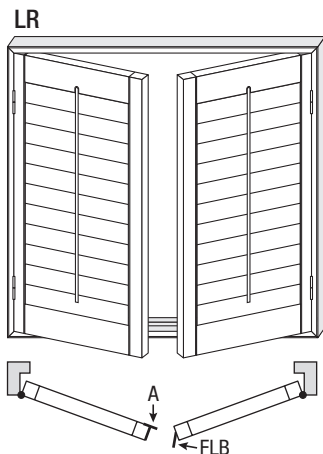


TWO PANELS — BI-FOLD



| ORDERED WIDTH | | | |
|---------------|---------------|------------------------------------|------------------------------------|
| Mount | Frame | Minimum | Maximum |
| IM | WF, HSB | 24 ⁵ / ₁₆ " | 48 ⁵ / ₁₆ " |
| | HSS | 25 ¹³ / ₁₆ " | 49 ¹³ / ₁₆ " |
| | Z22, Z24 | 25 ⁹ / ₁₆ " | 49 ⁹ / ₁₆ " |
| | L21, Z21, Z23 | 26 ¹ / ₁₆ " | 50 ¹ / ₁₆ " |
| OM | WF, HSB | 24 ¹ / ₈ " | 48 ¹ / ₈ " |
| | L21, S21 | 25 ¹³ / ₁₆ " | 49 ¹³ / ₁₆ " |
| | C21 | 28 ⁹ / ₁₆ " | 52 ⁹ / ₁₆ " |

TWO PANELS — INDIVIDUALLY HINGED



| ORDERED WIDTH | | | |
|---------------|---------------|-----------------------------------|-----------------------------------|
| Mount | Frame | Minimum | Maximum |
| IM | WF, HSB | 24 ¹ / ₄ " | 72 ¹ / ₄ " |
| | HSS | 25 ³ / ₄ " | 73 ³ / ₄ " |
| | Z22, Z24 | 25 ¹ / ₂ " | 73 ¹ / ₂ " |
| | L21, Z21, Z23 | 26" | 74" |
| OM | WF, HSB | 24 ¹ / ₁₆ " | 72 ¹ / ₁₆ " |
| | L21, S21 | 25 ³ / ₄ " | 73 ³ / ₄ " |
| | C21 | 28 ¹ / ₂ " | 76 ¹ / ₂ " |

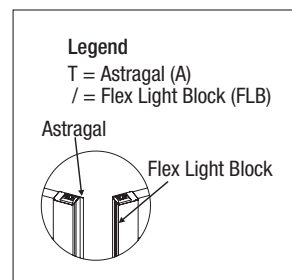
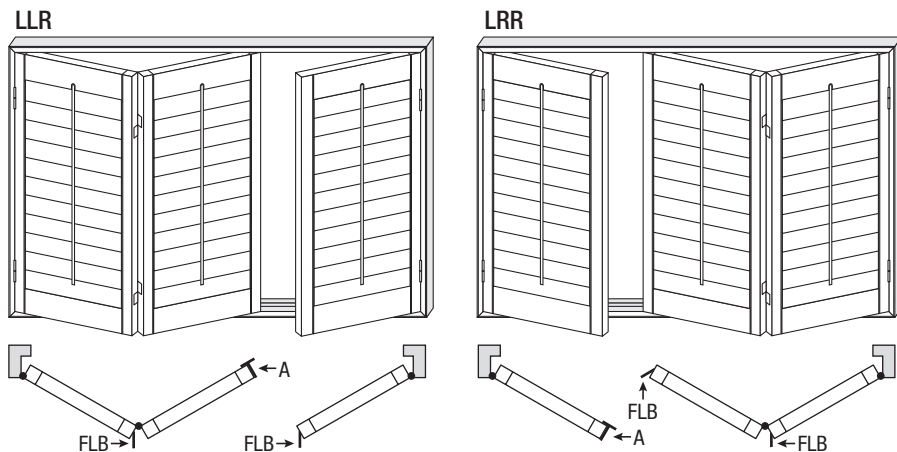
Notes

- The minimum and maximum ordered widths include frames and T-Posts as illustrated.
- The minimum and maximum panel dimensions are found on PB-2.
- Bi-Fold or Bypass track configurations are recommended for large 3-sided door openings.

Standard Hinged Panels Configurations

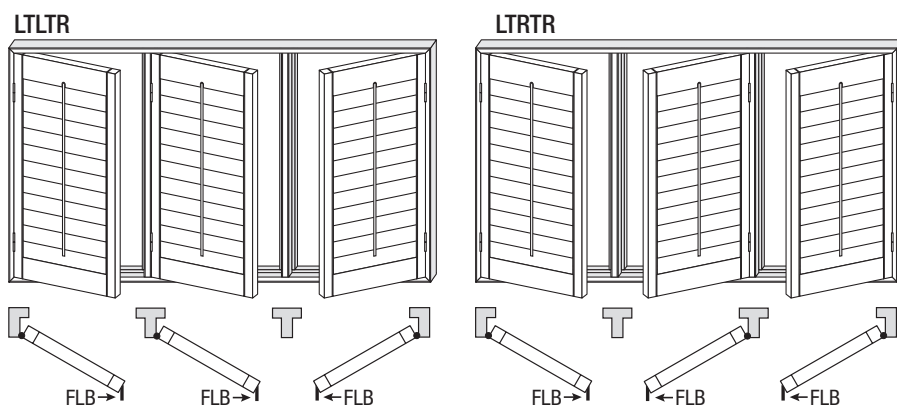
PALM BEACH™ POLYSATIN SHUTTERS

THREE PANELS — BI-FOLD

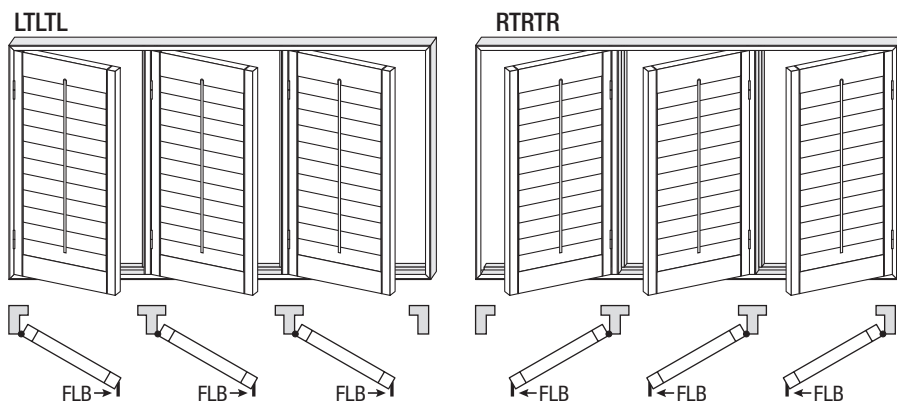


| | | ORDERED WIDTH | |
|-------|---------------|-----------------------------------|-----------------------------------|
| Mount | Frame | Minimum | Maximum |
| IM | WF, HSB | 36 ³ / ₈ " | 72 ³ / ₈ " |
| | HSS | 37 ⁷ / ₈ " | 73 ⁷ / ₈ " |
| | Z22, Z24 | 37 ⁵ / ₈ " | 73 ⁵ / ₈ " |
| | L21, Z21, Z23 | 38 ¹ / ₈ " | 74 ¹ / ₈ " |
| OM | WF, HSB | 36 ³ / ₁₆ " | 72 ³ / ₁₆ " |
| | L21, S21 | 37 ⁷ / ₈ " | 73 ⁷ / ₈ " |
| | C21 | 40 ⁵ / ₈ " | 76 ⁵ / ₈ " |

THREE PANELS — INDIVIDUALLY HINGED



| | | ORDERED WIDTH | |
|-------|---------------|------------------------------------|-------------------------------------|
| Mount | Frame | Minimum | Maximum |
| IM | WF, HSB | 39 ¹ / ₁₆ " | 111 ¹ / ₁₆ " |
| | HSS | 40 ⁹ / ₁₆ " | 112 ⁹ / ₁₆ " |
| | Z22, Z24 | 40 ⁵ / ₁₆ " | 112 ⁵ / ₁₆ " |
| | L21, Z21, Z23 | 40 ¹³ / ₁₆ " | 112 ¹³ / ₁₆ " |
| OM | WF, HSB | 38 ⁷ / ₈ " | 110 ⁷ / ₈ " |
| | L21, S21 | 40 ⁹ / ₁₆ " | 112 ⁹ / ₁₆ " |
| | C21 | 43 ⁵ / ₁₆ " | 115 ⁵ / ₁₆ " |



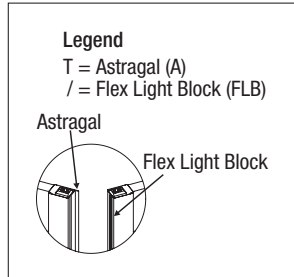
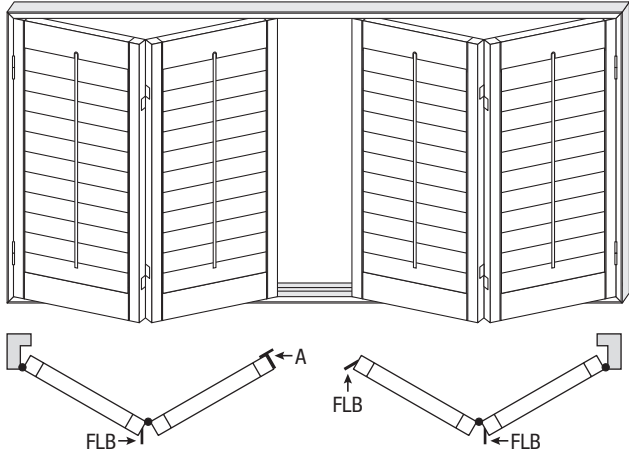
| | | ORDERED WIDTH | |
|-------|---------------|------------------------------------|-------------------------------------|
| Mount | Frame | Minimum | Maximum |
| IM | WF, HSB | 39 ¹ / ₁₆ " | 111 ¹ / ₁₆ " |
| | HSS | 40 ⁹ / ₁₆ " | 112 ⁹ / ₁₆ " |
| | Z22, Z24 | 40 ⁵ / ₁₆ " | 112 ⁵ / ₁₆ " |
| | L21, Z21, Z23 | 40 ¹³ / ₁₆ " | 112 ¹³ / ₁₆ " |
| OM | WF, HSB | 38 ⁷ / ₈ " | 110 ⁷ / ₈ " |
| | L21, S21 | 40 ⁹ / ₁₆ " | 112 ⁹ / ₁₆ " |
| | C21 | 43 ⁵ / ₁₆ " | 115 ⁵ / ₁₆ " |

Standard Hinged Panels Configurations

PALM BEACH™ POLYSATIN SHUTTERS

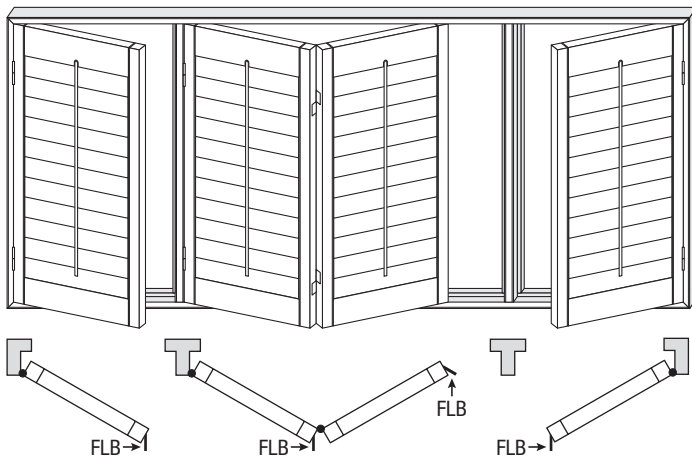
FOUR PANELS — BI-FOLD

LLRR



| ORDERED WIDTH | | | |
|---------------|---------------|-----------------------------------|-----------------------------------|
| Mount | Frame | Minimum | Maximum |
| IM | WF, HSB | 48 ³ / ₈ " | 96 ³ / ₈ " |
| | HSS | 49 ⁷ / ₈ " | 97 ⁷ / ₈ " |
| | Z22, Z24 | 49 ⁵ / ₈ " | 97 ⁵ / ₈ " |
| | L21, Z21, Z23 | 50 ¹ / ₈ " | 98 ¹ / ₈ " |
| OM | WF, HSB | 48 ³ / ₁₆ " | 96 ³ / ₁₆ " |
| | L21, S21 | 49 ⁷ / ₈ " | 97 ⁷ / ₈ " |
| | C21 | 52 ⁵ / ₈ " | 100 ⁵ / ₈ " |

LTLTR



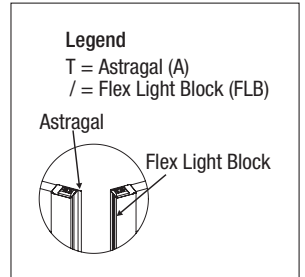
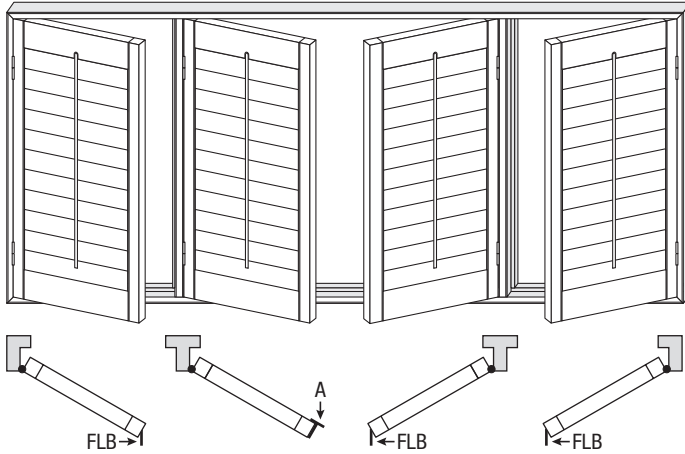
| ORDERED WIDTH | | | |
|---------------|---------------|------------------------------------|-------------------------------------|
| Mount | Frame | Minimum | Maximum |
| IM | WF, HSB | 51 ³ / ₁₆ " | 99 ³ / ₁₆ " |
| | HSS | 52 ¹¹ / ₁₆ " | 100 ¹¹ / ₁₆ " |
| | Z22, Z24 | 52 ⁷ / ₁₆ " | 100 ⁷ / ₁₆ " |
| | L21, Z21, Z23 | 52 ¹⁵ / ₁₆ " | 100 ¹⁵ / ₁₆ " |
| OM | WF, HSB | 51" | 99" |
| | L21, S21 | 52 ¹¹ / ₁₆ " | 100 ¹¹ / ₁₆ " |
| | C21 | 55 ⁷ / ₁₆ " | 103 ⁷ / ₁₆ " |

Standard Hinged Panels Configurations

PALM BEACH™ POLYSATIN SHUTTERS

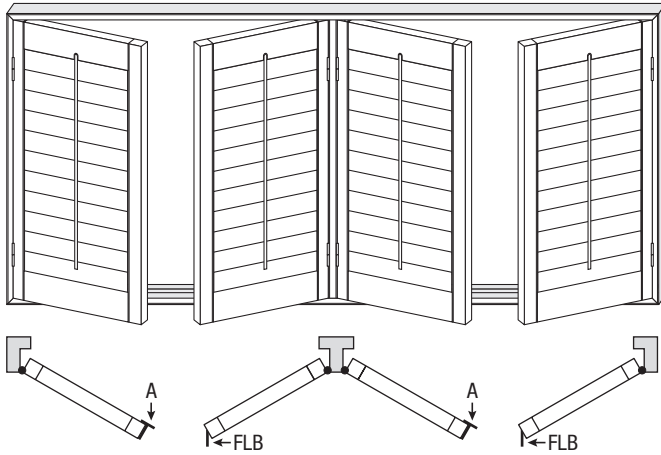
FOUR PANELS — INDIVIDUALLY HINGED

LTLRTR



| Mount | Frame | ORDERED WIDTH | |
|-------|---------------|------------------------------------|-------------------------------------|
| | | Minimum | Maximum |
| IM | WF, HSB | 51 ¹ / ₈ " | 147 ¹ / ₈ " |
| | HSS | 52 ⁵ / ₈ " | 148 ⁵ / ₈ " |
| | Z22, Z24 | 52 ³ / ₈ " | 148 ³ / ₈ " |
| | L21, Z21, Z23 | 52 ⁷ / ₈ " | 148 ⁷ / ₈ " |
| OM | WF, HSB | 50 ¹⁵ / ₁₆ " | 146 ¹⁵ / ₁₆ " |
| | L21, S21 | 52 ⁵ / ₈ " | 148 ⁵ / ₈ " |
| | C21 | 55 ³ / ₈ " | 151 ³ / ₈ " |

LRTLRL



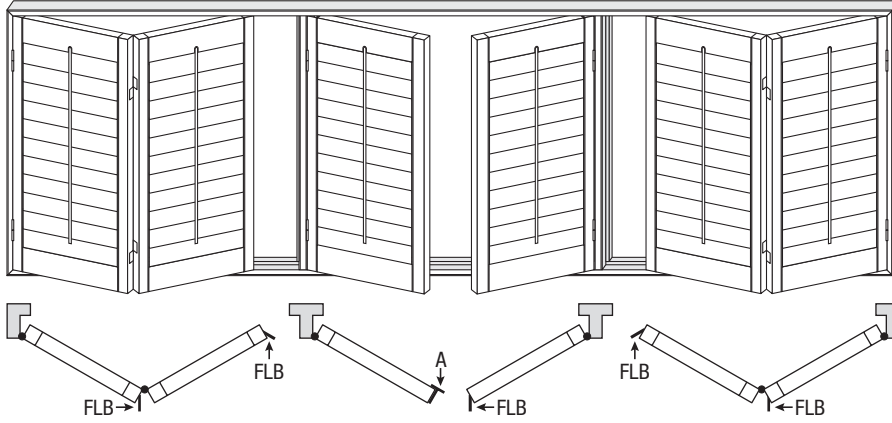
| Mount | Frame | ORDERED WIDTH | |
|-------|---------------|-----------------------------------|------------------------------------|
| | | Minimum | Maximum |
| IM | WF, HSB | 49 ³ / ₄ " | 145 ³ / ₄ " |
| | HSS | 51 ¹ / ₄ " | 147 ¹ / ₄ " |
| | Z22, Z24 | 51" | 147" |
| | L21, Z21, Z23 | 51 ¹ / ₂ " | 147 ¹ / ₂ " |
| | WF, HSB | 49 ⁹ / ₁₆ " | 145 ⁹ / ₁₆ " |
| OM | L21, S21 | 51 ¹ / ₄ " | 147 ¹ / ₄ " |
| | C21 | 54" | 150" |

Standard Hinged Panels Configurations

PALM BEACH™ POLYSATIN SHUTTERS

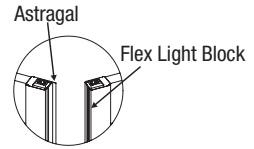
SIX PANELS — BI-FOLD

LLTLRTRR



Legend

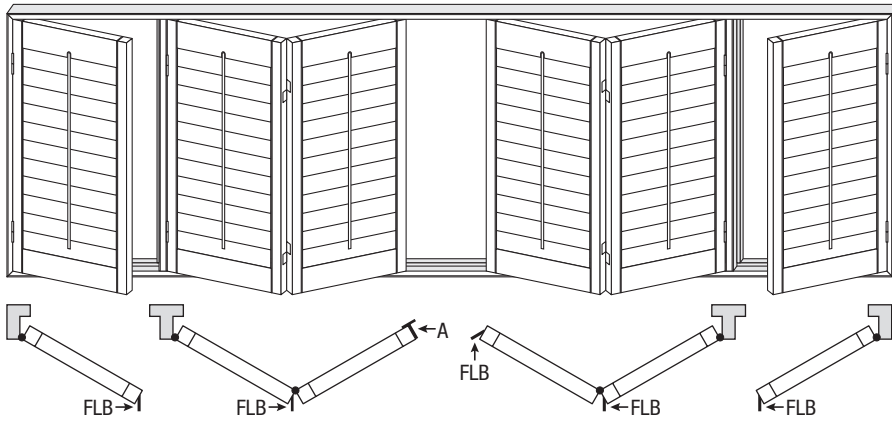
T = Astragal (A)
/ = Flex Light Block (FLB)



ORDERED WIDTH

| Mount | Frame | Minimum | Maximum |
|-------|---------------|------------------------------------|-------------------------------------|
| IM | WF, HSB | 75 ⁷ / ₁₆ " | 147 ⁷ / ₁₆ " |
| | HSS | 76 ¹⁵ / ₁₆ " | 148 ¹⁵ / ₁₆ " |
| | Z22, Z24 | 76 ¹¹ / ₁₆ " | 148 ¹¹ / ₁₆ " |
| | L21, Z21, Z23 | 77 ³ / ₁₆ " | 149 ³ / ₁₆ " |
| OM | WF, HSB | 75 ¹ / ₄ " | 147 ¹ / ₄ " |
| | L21, S21 | 76 ¹⁵ / ₁₆ " | 148 ¹⁵ / ₁₆ " |
| | C21 | 79 ¹¹ / ₁₆ " | 151 ¹¹ / ₁₆ " |

LTLLRTRR



ORDERED WIDTH

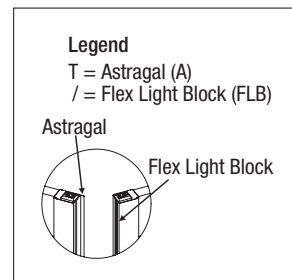
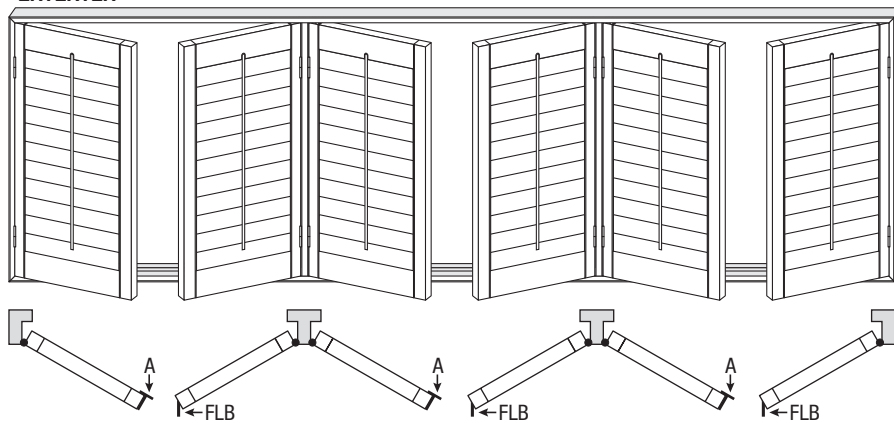
| Mount | Frame | Minimum | Maximum |
|-------|---------------|------------------------------------|-------------------------------------|
| IM | WF, HSB | 75 ⁷ / ₁₆ " | 147 ⁷ / ₁₆ " |
| | HSS | 76 ¹⁵ / ₁₆ " | 148 ¹⁵ / ₁₆ " |
| | Z22, Z24 | 76 ¹¹ / ₁₆ " | 148 ¹¹ / ₁₆ " |
| | L21, Z21, Z23 | 77 ³ / ₁₆ " | 149 ³ / ₁₆ " |
| OM | WF, HSB | 75 ¹ / ₄ " | 147 ¹ / ₄ " |
| | L21, S21 | 76 ¹⁵ / ₁₆ " | 148 ¹⁵ / ₁₆ " |
| | C21 | 79 ¹¹ / ₁₆ " | 151 ¹¹ / ₁₆ " |

Standard Hinged Panels Configurations

PALM BEACH™ POLYSATIN SHUTTERS

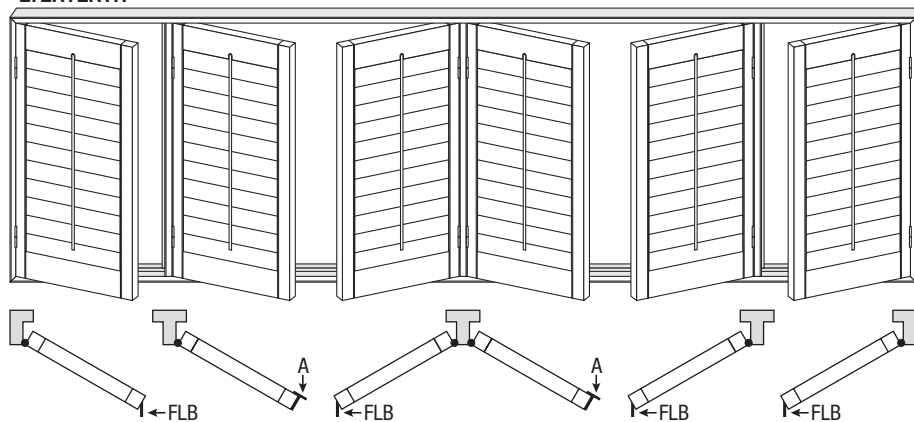
SIX PANELS — INDIVIDUALLY HINGED

LRTLRTLRLR



| Mount | Frame | ORDERED WIDTH | |
|-------|---------------|---------------|-----------|
| | | Minimum | Maximum |
| IM | WF, HSB | 75 1/4" | 219 1/4" |
| | HSS | 76 3/4" | 220 3/4" |
| | Z22, Z24 | 76 1/2" | 220 1/2" |
| | L21, Z21, Z23 | 77" | 221" |
| OM | WF, HSB | 75 1/16" | 219 1/16" |
| | L21, S21 | 76 3/4" | 220 3/4" |
| | C21 | 79 1/2" | 223 1/2" |

LTLRTLRLTR



| Mount | Frame | ORDERED WIDTH | |
|-------|---------------|---------------|-----------|
| | | Minimum | Maximum |
| IM | WF, HSB | 76 5/8" | 220 5/8" |
| | HSS | 78 1/8" | 222 1/8" |
| | Z22, Z24 | 77 7/8" | 221 7/8" |
| | L21, Z21, Z23 | 78 3/8" | 222 3/8" |
| OM | WF, HSB | 76 7/16" | 220 7/16" |
| | L21, S21 | 78 1/8" | 222 1/8" |
| | C21 | 80 7/8" | 224 7/8" |

Note

- Other multiple panel arrangements are possible, including eight and ten panels. Please consult your Hunter Douglas fabricator.

Bay Windows

PALM BEACH™ POLYSATIN SHUTTERS

THE BASICS

Shutters for bay windows consist of three or more individually framed shutter assemblies that can be butted together at their front corners. Each of the separate framed assemblies are priced and ordered as individual units.

Frame Options

Seven frame types are used for bay windows:

- Standard L-Frame
- Classic Z-Frame
- Colonial Z-Frame
- Standard Z-Frame
- Decorative Z-Frame
- Deluxe Casing Frame
- Deluxe Casing Sill/Extended L-Frame

The Standard L-Frame, Deluxe Casing Sill/ Extended L-Frame, and Deluxe Casing Frame are used for outside mounts and Z-Frames in combination with Standard L-Frames are used for inside mounts.

Suggested Frame Combinations for Bay Windows

| Frame Type | Vertical Member |
|--------------------------------------|--------------------------------------|
| Classic Z-Frame | Decorative/Classic Z-Sill |
| Colonial Z-Frame | Standard L-Frame |
| Standard Z-Frame | Standard L-Frame |
| Standard L-Frame | Standard L-Frame |
| Decorative Z-Frame | Decorative/Classic Z-Sill |
| Deluxe Casing Frame | Deluxe Casing Sill/ Extended L-Frame |
| Deluxe Casing Sill/ Extended L-Frame | Deluxe Casing Sill/ Extended L-Frame |

Note: Examples of inside and outside mount applications.

Panel Configurations

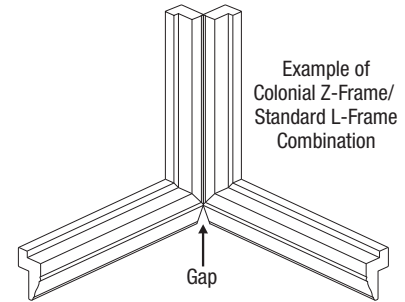
Any standard hinged panel configuration — whether Bi-Fold or individually hinged — may be ordered for bay windows. However, it is very important to plan how the shutters will open after they are installed, taking into consideration how the panels interact with each other, as well as maintaining comparable panel widths.

Measuring and Ordering

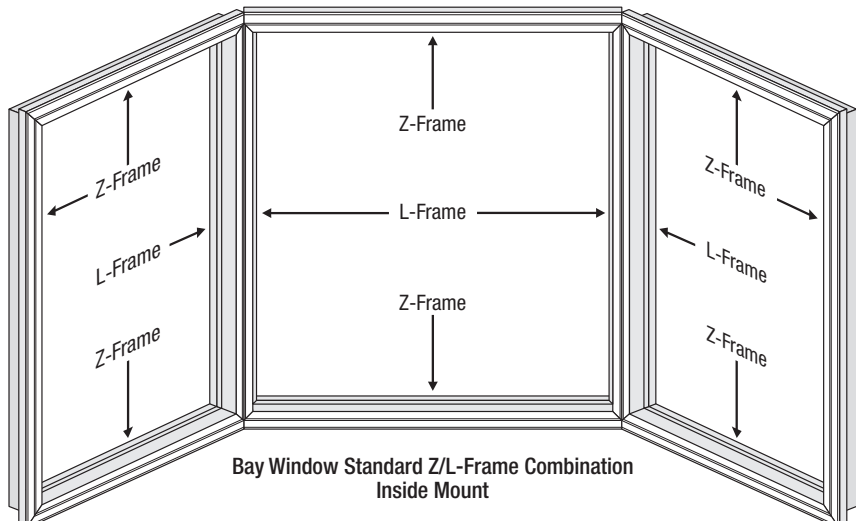
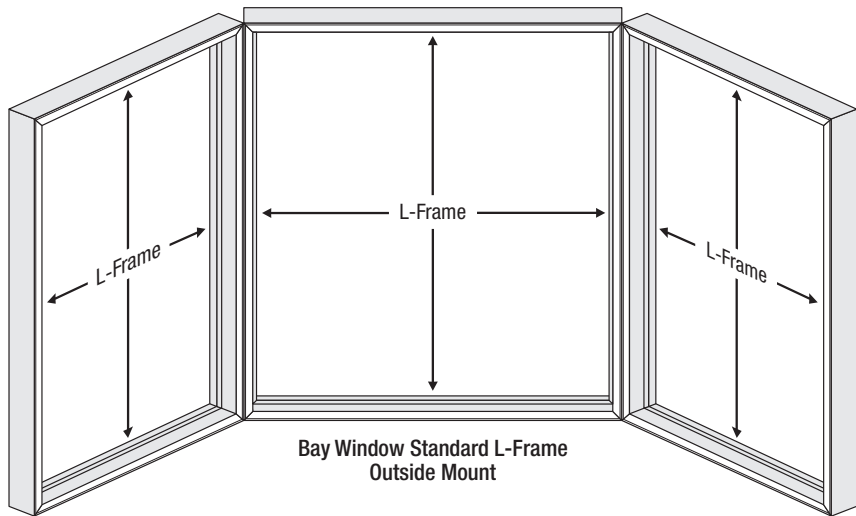
Measuring instructions are shown on the following page. A special Easy Angle™ measuring tool enables you to measure and order without using templates. There is one worksheet for bay windows — for both inside and outside mounts. For each order, complete the worksheet, transfer the information to the standard Palm Beach™ order form and attach a copy of the worksheet to the order form.

Sill Frames

If desired, a Sill Frame can be specified at the top and/or bottom of the opening. Use the frame detail code on the order form when ordering.



Note: Colonial Z/L combinations, Classic Z/L and Deluxe Casing with Extended L-Frame are not recommended with bay window applications. These frame profiles create a gap at the corner where the frame assemblies meet.



Bay Windows Measuring

PALM BEACH™ POLYSATIN SHUTTERS

MEASURING FOR BAY WINDOW OUTSIDE MOUNTS

Standard L-Frame (L21)

Refer to the Bay Window worksheet and follow the steps below. Enter all measurements on the worksheet. Then perform the required calculations, transfer the results to the standard Palm Beach™ order form and attach the worksheet.

Step One

Using the appropriate Easy Angle™ measuring tool, locate the Standard L-Frame portion at the appropriate position left of opening 1 and allow for a $\frac{3}{8}$ " reveal. Mark A. Repeat this step for F.

Step Two

Using the Easy Angle measuring tool, determine and mark positions B and C. Repeat this step for D and E.

Step Three

Measure the distance from mark A to mark B (opening 1). Repeat for C to D (opening 2) and E to F (opening 3). Enter these width measurements on the worksheet.

Step Four

Measure the inside height in three places for each opening. Use the largest height measurement for all three shutters and add the following:

- Add $3\frac{3}{8}$ " for four-sided L-Frame or Casing Sill/Extended L-Frame.
- Add $3\frac{3}{8}$ " for four-sided frame with bottom sill, not on existing window sill.
- Add $1\frac{11}{16}$ " if bottom Sill Frame is on window sill.

Step Five

Transfer the information from the worksheet to the standard Palm Beach order form and indicate in the "Notes" section that the shutters are for a bay window. Attach the worksheet to the order form.

MEASURING FOR BAY WINDOW INSIDE MOUNTS

Standard Z-Frame (Z21) with Standard L-Frame (L21)

Refer to the Bay Window worksheet and follow the steps below. Enter all measurements on the worksheet. Then perform the required calculations, transfer the results to the standard Palm Beach order form and attach the worksheet.

Step One

Using the appropriate Easy Angle measuring tool, locate the Standard L-Frame portion at the left corner of the bay, and mark positions B and C. Repeat this step for D and E.

Step Two

Measure inside opening 1 from the wall at A to the mark at B. This provides a $\frac{1}{4}$ " space to A.

Step Three

Measure inside opening 2 from the mark at C to the mark at D. Add $\frac{1}{4}$ " to determine ordered width.

Step Four

Measure inside opening 3 from the mark at E to the wall at F. This provides a $\frac{1}{4}$ " space to F.

Step Five

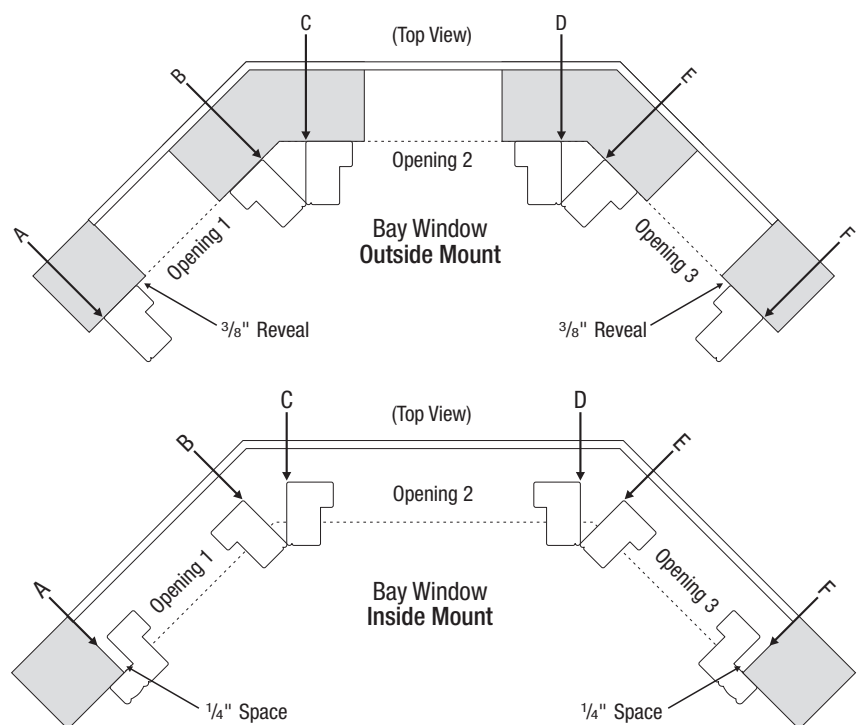
Measure the inside height in three places for each opening. Use the smallest inside height and subtract $\frac{1}{4}$ " to determine your ordered height for all three openings to allow for vertical racking adjustment.

Step Six

Transfer the information from the Bay Window worksheet to the standard Palm Beach order form and indicate in the "Notes" section that the shutters are for a bay window. Attach the worksheet to the order form.

Note

- These measuring procedures provide a $\frac{3}{8}$ " reveal on the width.



Corner Windows

PALM BEACH™ POLYSATIN SHUTTERS

THE BASICS

Shutters for corner windows consist of two separate framed shutter assemblies which butt together at their front corners. A hidden hang strip is used to connect the two assemblies where they meet. Each of the separate framed assemblies are priced and ordered as individual units.

Frame Options

Seven frame types are used for corner windows:

- Standard L-Frame
- Colonial Z-Frame
- Classic Z-Frame
- Standard Z-Frame
- Decorative Z-Frame
- Deluxe Casing Frame
- Deluxe Casing Sill/Extended L-Frame

The Standard L-Frame, Deluxe Casing Sill/Extended L-Frame, and Deluxe Casing Frame are used for outside mounts and Z-Frames in combination with Standard L-Frames are used for inside mounts.

Suggested Frame Combinations for Corner Windows

| Frame Type | Vertical Member |
|-------------------------------------|-------------------------------------|
| Classic Z-Frame | Decorative/Classic Z-Sill |
| Colonial Z-Frame | Standard L-Frame |
| Standard Z-Frame | Standard L-Frame |
| Standard L-Frame | Standard L-Frame |
| Decorative Z-Frame | Decorative/Classic Z-Sill |
| Deluxe Casing Frame | Deluxe Casing Sill/Extended L-Frame |
| Deluxe Casing Sill/Extended L-Frame | Deluxe Casing Sill/Extended L-Frame |

Note: Examples of inside and outside mount applications.

Panel Configurations

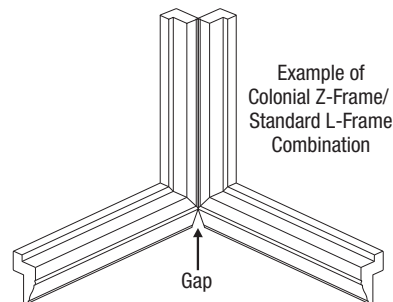
Any standard hinged panel configuration — whether Bi-Fold or individually hinged — may be ordered for corner windows. However, it is very important to plan how the installed shutters will open. For example, most customers would not want two “LR” configurations. Opening the shutter panels in the corner would conflict with each other. It would be better to order the shutters as single panels or bi-folds hinged to the outer side of the frame.

Measuring and Ordering

Measuring instructions are shown on the following page. There is one worksheet for corner windows — for both inside and outside mounts. For each order, complete the worksheet, transfer the information to the standard Palm Beach™ order form and attach a copy of the worksheet to the order form.

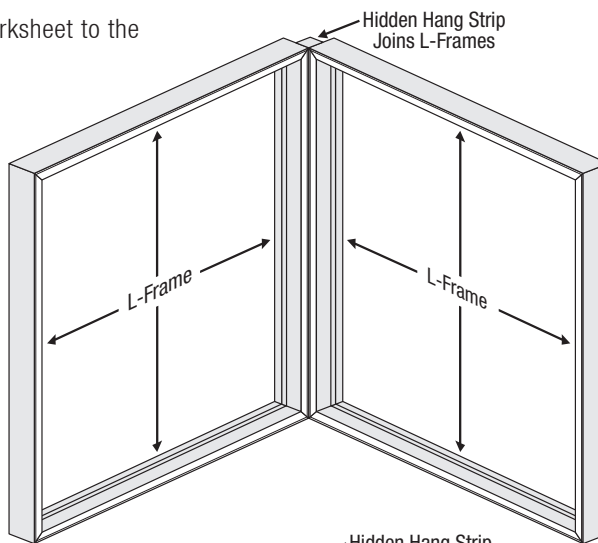
Sill Frames

If desired, a Sill Frame can be specified at the top and/or bottom of the opening. Use the frame detail on the order form when ordering.

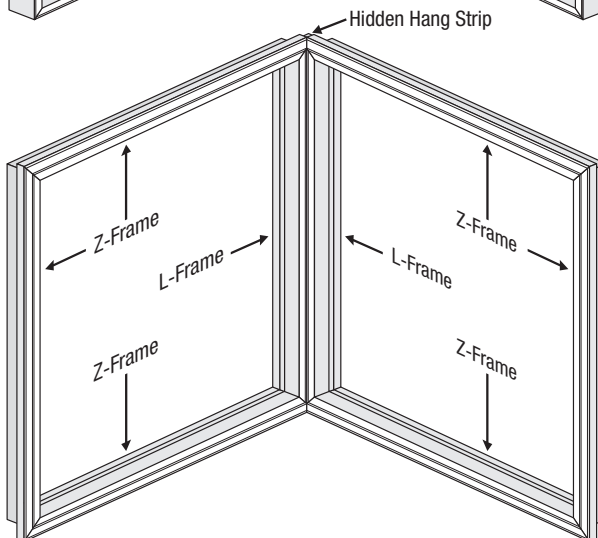


Note: Colonial Z/L combinations, Classic Z/L and Deluxe Casing with Extended L-Frame are not recommended with corner window applications. These frame profiles create a gap at the corner where the frame assemblies meet.

Corner Window
Standard
L-Frame
Outside Mount



Corner Window
Standard Z/L-Frame
Combination
Inside Mount



Corner Windows Measuring

PALM BEACH™ POLYSATIN SHUTTERS

MEASURING FOR CORNER WINDOW OUTSIDE MOUNTS

Standard L-Frame (L21)

Refer to the Corner Window worksheet and follow the steps below. Enter all measurements on the worksheet. Then perform the required calculations, transfer the results to the standard Palm Beach™ order form and attach the worksheet.

Step One

Place the Standard L-Frame (L21) at the appropriate position left of opening 1 and allow for a $\frac{3}{8}$ " reveal. Mark A. Repeat this step at D.

Step Two

Locate and mark positions B and C (same point).

Step Three

Measure the distance from mark A to mark B and subtract $2\frac{1}{16}$ " (opening 1). Repeat for C to D and subtract $2\frac{1}{16}$ " (opening 2). Enter these width measurements on the worksheet.

Step Four

Measure the inside height in three places for each opening. Use the largest height measurement for both shutters and add the following:

- Add $3\frac{3}{8}$ " for four-sided Deluxe Casing Sill/Extended L-Frame and Standard L-Frame.
- Add $3\frac{3}{8}$ " for four-sided frame with bottom sill, not on existing window sill.
- Add $1\frac{11}{16}$ " if bottom Sill Frame is on window sill.

Step Five

Transfer the information from the worksheet to the standard Palm Beach order form and indicate in the "Notes" section that the shutters are for a corner window. Attach the worksheet to the order form.

MEASURING FOR CORNER WINDOW INSIDE MOUNTS

Standard Z-Frame (Z21) with Standard L-Frame (L21)

Refer to the Corner Window worksheet and follow the steps below. Enter all measurements on the worksheet. Then perform the required calculations, transfer the results to the standard Palm Beach order form and attach the worksheet.

Step One

Locate and mark positions B and C (same point).

Step Two

Measure inside opening 1 from the wall at A to the mark at B and subtract $\frac{3}{4}$ ". This provides a $\frac{1}{4}$ " space to A.

Step Three

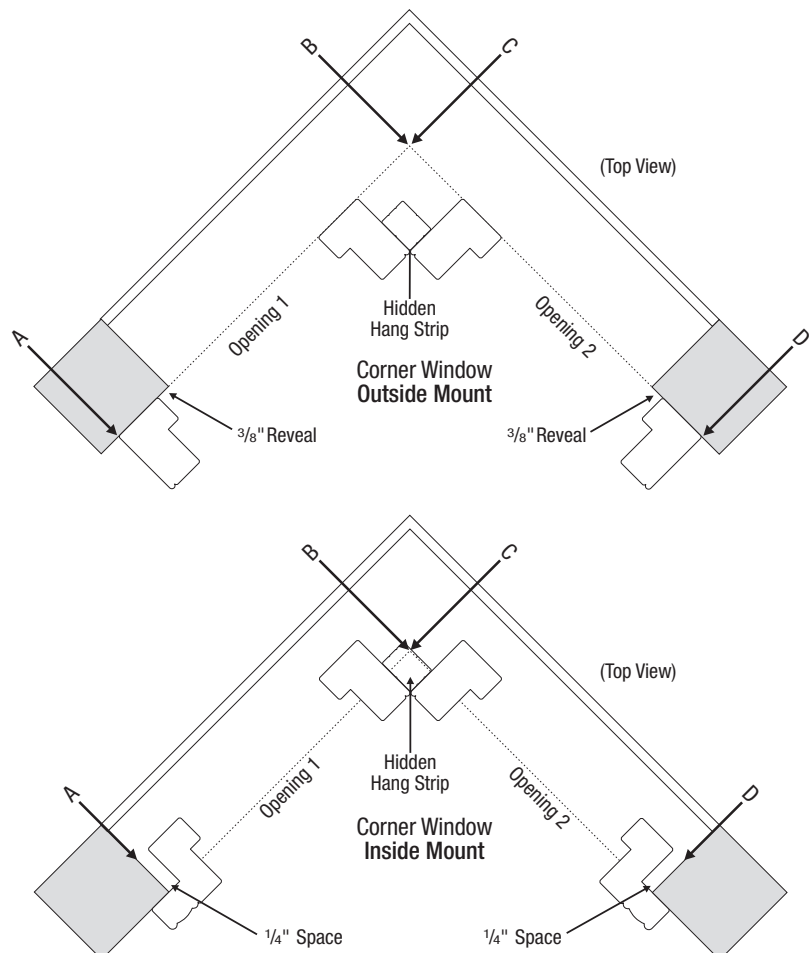
Measure inside opening 2 from the mark at C to the wall at D and subtract $\frac{3}{4}$ ". This provides a $\frac{1}{4}$ " space to D.

Step Four

Measure the inside height in three places for each opening. Use the smallest inside height and subtract $\frac{1}{4}$ " to determine your ordered height for both openings to allow for vertical racking adjustment.

Step Five

Transfer the information from the Corner Window worksheet to the standard Palm Beach order form and indicate in the "Notes" section that the shutters are for a corner window. Attach the worksheet to the order form.



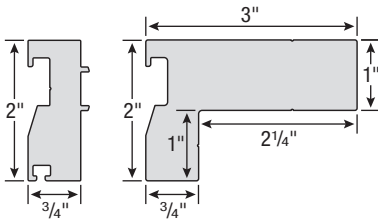
Notes

- These measuring procedures provide a $\frac{3}{8}$ " reveal on the width. After evaluating the diagonals, additional allowances may be necessary to compensate for out-of-square windows.
- For corner window applications, be sure to order hang strip as lineal material. Order the hang strip to be $\frac{1}{16}$ " shorter than the ordered height.

Track Frames and Components

PALM BEACH™ POLYSATIN SHUTTERS

BI-FOLD TRACK FRAME (BF)



Bi-Fold/Bypass Frame Build-Out

- Mounting type: inside or outside mount.
- Pre-drilled installation holes.
- Build-outs available for louver clearance.
- Corner key is not used with this frame.

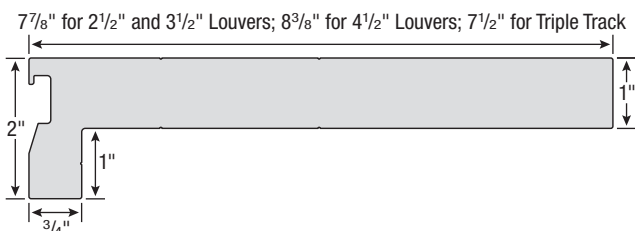
BYPASS TRACK FRAME (BP)

- 5" frame overall projection.
- Mounting type: inside or outside mount.
- Louvers must be closed for panel operation.
- Pre-drilled installation holes.
- Build-outs available for louver clearance.
- Corner key is not used with this frame.

BYPASS OPEN LOUVER (BO) AND BYPASS TRIPLE TRACK (BT) FRAME

The Bypass Open Louver Frame uses two tracks where the panels can slide past each other with louvers in the open position. The Bypass Triple Track frame uses three tracks, where panels can slide past each other with louvers in the closed position.

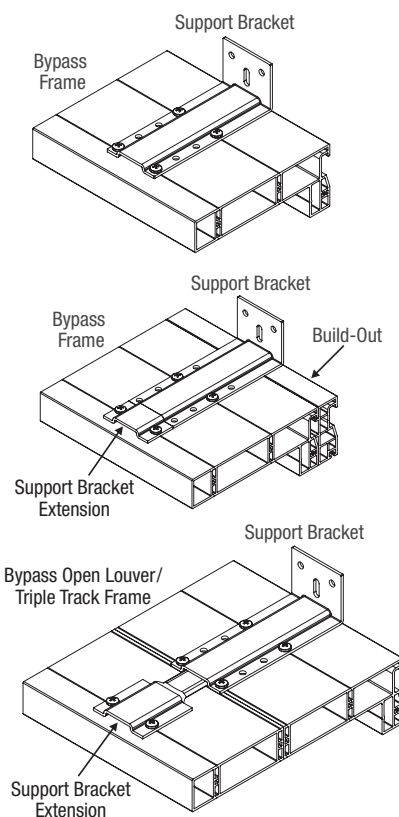
- Mounting type: inside or outside mount.
- Pre-drilled installation holes.
- Build-outs not recommended.
- Corner key is not used with this frame.
- Bypass Open Louver frame projection is 7⁷/₈" for 2¹/₂" and 3¹/₂" louvers, and 8³/₈" for 4¹/₂" louvers.
- Bypass Triple Track frame projection is 7¹/₂" for all louver sizes.



24 PB

BYPASS SUPPORT BRACKETS

- All Bypass configurations will include support brackets. Installation of these brackets is critical for the lifetime operation of your shutters. Note that 1¹/₂" of clearance is required above the frame for the bracket.
- In order to install the frame assembly, there must be enough clearance above the frame to get a tool in to attach it.



Note

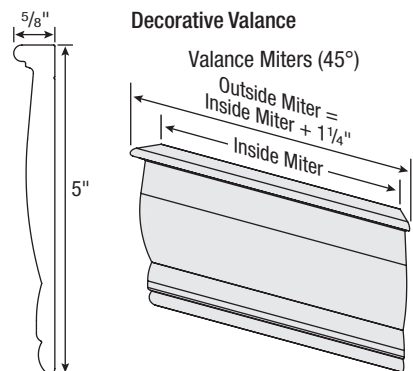
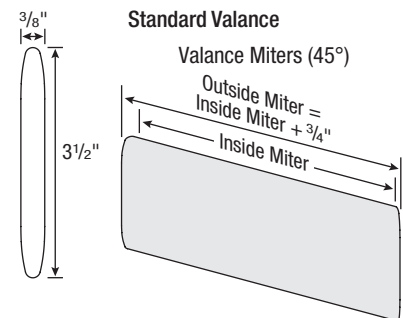
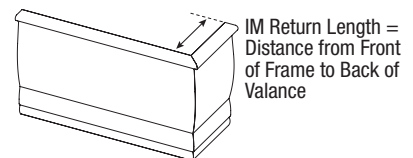
- Frame and valance widths over 180" wide may require splicing.

DIVIDER RAILS

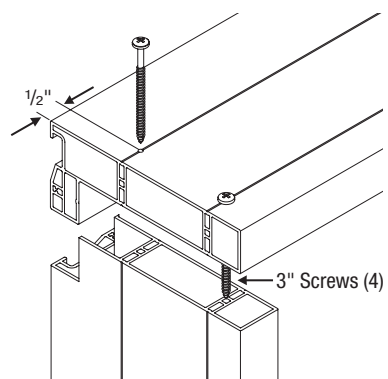
A divider rail is required on track system applications when panels exceed 60" in height. Two divider rails are required on panels over 90" in height.

VALANCES

- If mounting on moldings, longer return lengths than standard can be ordered.
- Select standard or decorative valance for track configurations.
- If returns are desired for an inside mount, specify length when ordering (1" minimum).



TRACK FRAME ASSEMBLY



Track Components

PALM BEACH™ POLYSATIN SHUTTERS

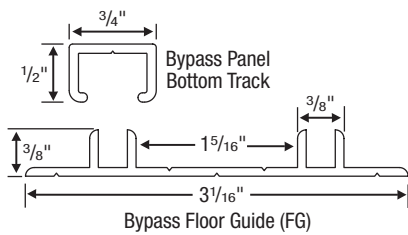
BOTTOM TRACKS/ FLOOR GUIDES

Bottom tracks and floor guides are recommended for track configurations to improve panel functionality and performance.

Three options are available for Bypass configurations and one option is available for Bi-Fold configurations.

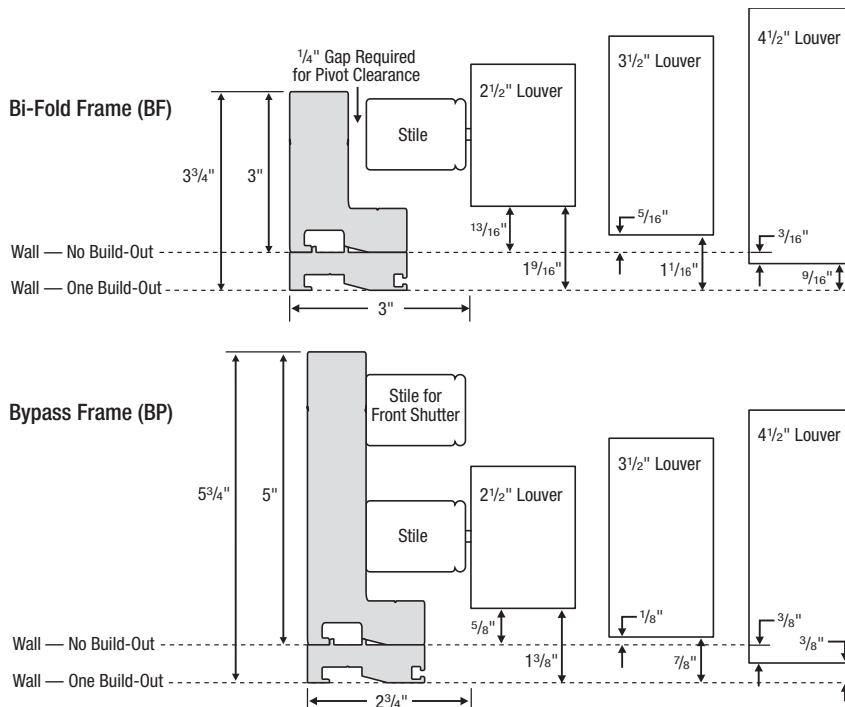
Bypass Options

1. A Bypass track configuration can be ordered with the bottom track and Bypass floor guide. The floor guide comes in small sections or can be ordered full length when noted on the order form. This is the only option available for Bypass Open Louver track configurations.

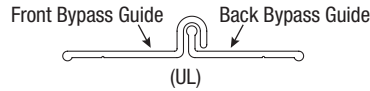


Note: When ordering a track configuration with a bottom track and floor guide, the factory takes an additional 1 1/16" panel deduction to allow for the height of the bottom track.

TRACK LOUVER CLEARANCES



2. An optional Hidden Panel Bypass Guide can be ordered when noted on the order form. This guide eliminates the need for a floor attachment.

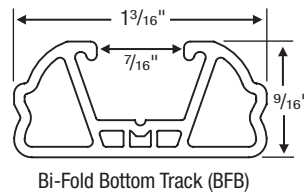


3. An optional three piece set of molded plastic pieces that are attached to the floor can be ordered for Bypass configurations.



Bi-Fold Option

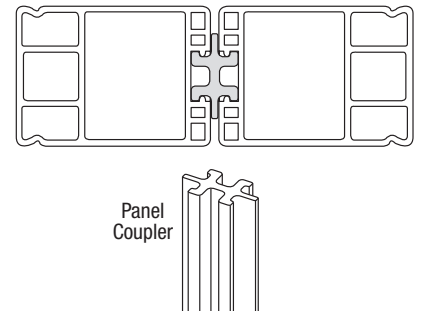
1. The Bi-Fold bottom track option must be specified at the time of ordering.



Note: When ordering a track configuration with a bottom track, the factory takes an additional 9/16" panel deduction to allow for the height of the bottom track.

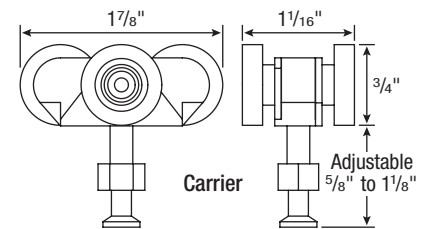
BYPASS TRACK PANEL COUPLER

Bypass track configurations use discreet panel couplers to hold married panels together. The coupler connects two panels so that they move as a single unit in the opening.



TOP TRACK AND CARRIER DIMENSIONS

Shown here are the dimensions of the top track and carriers.



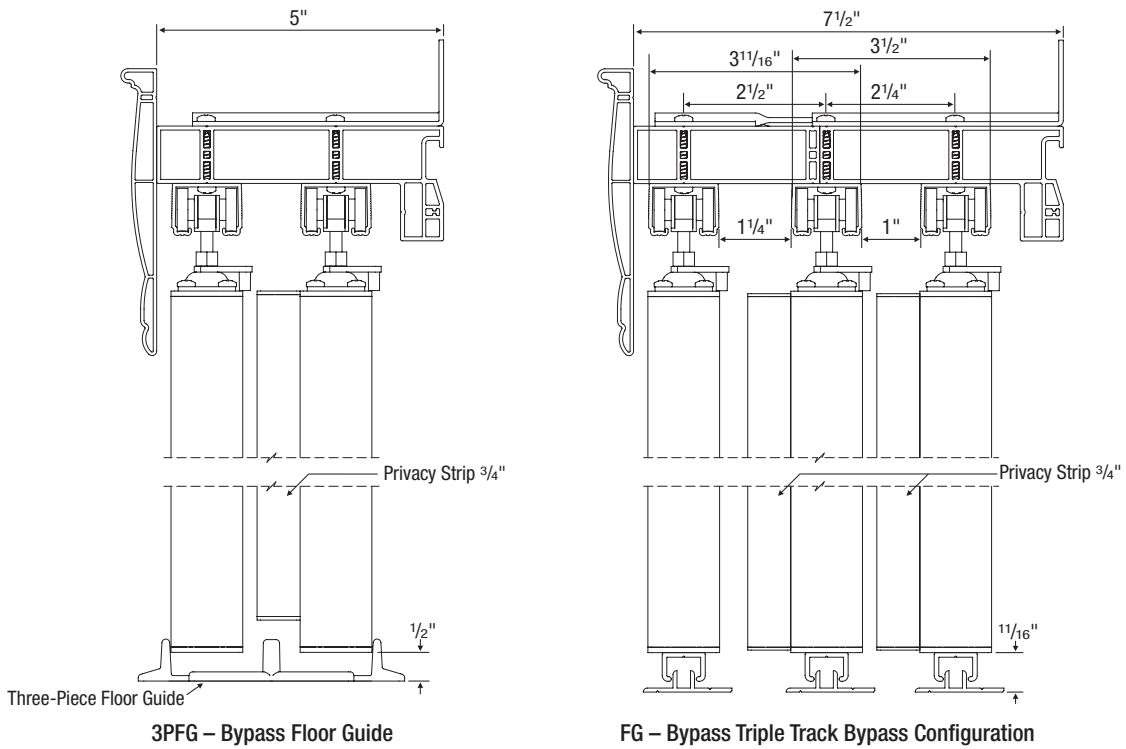
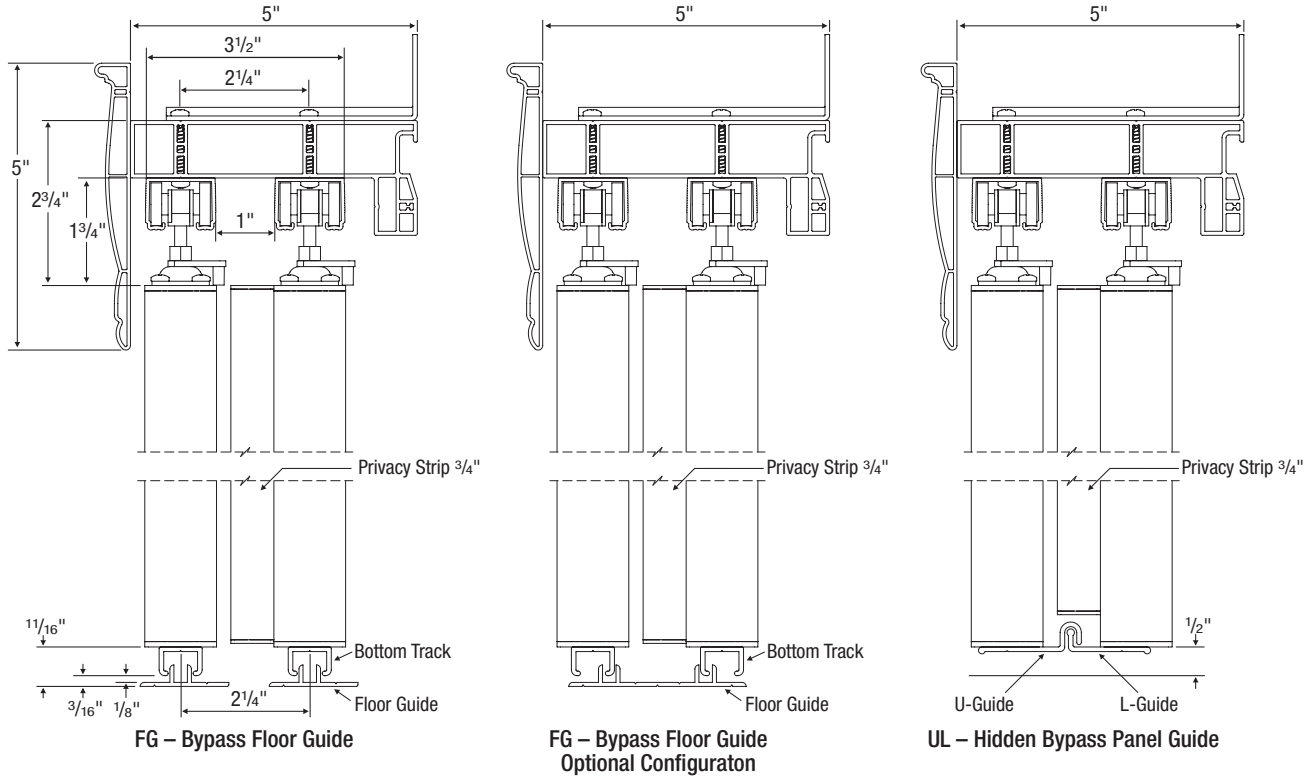
Notes

- A minimum depth of 2 1/2" is required to inside mount either the Bi-Fold or Bypass Frame.
- For front tilt, allow an additional 1/4" for louver clearance from the back edge of the louvers.
- For TruView™ rear tilt, allow an additional 3/4" for clearance. This includes the 1/4" standard recommended clearance and the 1/2" clearance for the rear tilt bar.
- Always check for obstructions.
- Stiles are sent as privacy strips for Bypass Open Louver Track.
- 3/4" hang strips are sent as privacy strips for Bypass Track and Bypass Triple Track.

Track Components

PALM BEACH™ POLYSATIN SHUTTERS

BYPASS TRACK CONFIGURATION DETAILS WITH FLOOR GUIDE OPTIONS



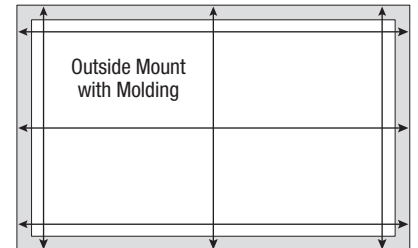
Bi-Fold and Bypass Track - Measuring Guidelines

PALM BEACH™ POLYSATIN SHUTTERS

OUTSIDE MOUNT WITH MOLDING

We do not recommend mounting track configurations onto most moldings. If the molding is not flat, or if it is less than 2" wide, we suggest removing it or mounting beyond the molding.

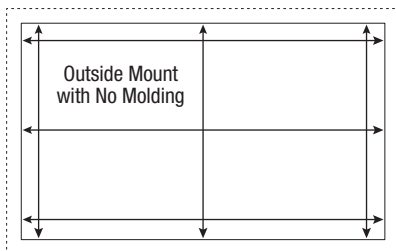
- Measure the width from outside molding to outside molding at the top, middle and bottom of the window opening. Record the largest measurement.
- Measure the height from outside molding to outside molding at the left, center and right of the window opening. Record the largest measurement.
- To determine ordered size, add the appropriate overlap factors from the Outside Mount Frame Overlap chart. Your ordered measurements will be the finished size of the shutter including the frame.



OUTSIDE MOUNT WITH NO MOLDING

Any molding around the opening must be removed before shutter installation.

- Measure the width inside the opening at the top, middle and bottom.
- Measure the height inside the opening at the left, center and right.
- To determine ordered size, add the appropriate overlap factors from the Outside Mount Frame Overlap chart. Your ordered measurements will be the finished size of the shutter including the frame.



Outside Mount Frame Overlap

| Track Type | Overlap factor per frame side |
|---------------|-------------------------------|
| Bi-Fold Track | 2 1/4" |
| Bypass Track | 2 1/4" |

Note: Overlap factor provides for frame base plus 1/4" reveal per frame side.



Bi-Fold and Bypass Track - Measuring Guidelines

PALM BEACH™ POLYSATIN SHUTTERS

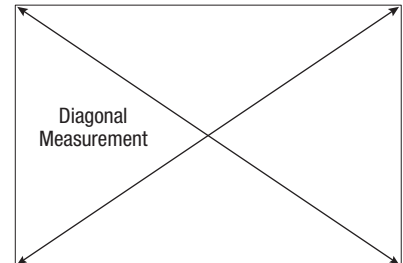
INSIDE MOUNT WITH FRAME

Inside mounts pose an added degree of difficulty due to several factors. Handles and locks, depth and squareness of the window opening must be considered. For inside mount, all measurements should be tight and measured to the nearest $\frac{1}{16}$ ".

A. Measure the width inside the opening at the top, middle and bottom. Record the smallest measurement.

B. Measure the height inside the opening at the left, center and right. Record the smallest measurement.

C. To determine squareness, measure diagonally from top left to bottom right and from top right to bottom left. If the measurements are not equal, the opening is not square. Reduce the ordered size accordingly or if the measured difference is greater than $\frac{1}{2}$ " consider an outside mount.



Your ordered measurements are the smallest size of the window from which frame deductions will be taken. Standard deductions are $\frac{1}{4}$ " from ordered width and height on four-sided frames. On three-sided frames the height deduction is $\frac{1}{8}$ ".

Minimum Mounting Depths for Framed Configurations

For minimum mounting depths, refer to the louver clearance diagrams on page PB-25. Note that a minimum depth of $2\frac{1}{2}$ " is required to inside mount Bi-Fold and Bypass Frames.

INSIDE MOUNT WITH NO FRAME

Follow the same procedure as described above for inside mounts with frames. If the opening is not square, a framed configuration should be strongly considered.

Note: If no frame is used, small light gaps will exist around the edges of the panels.

Minimum Mounting Depths for Unframed Configurations

A minimum depth of $2\frac{1}{2}$ " is required for

Bi-Fold track configurations without frames. A minimum of $4\frac{1}{4}$ " is required for Bypass track configurations without frames. Add $\frac{3}{4}$ " to these minimum depth requirements if the tilt bar will be located on the rear of the shutter.

Inside Mount Deductions

- The factory takes a $\frac{1}{4}$ " inside mount deduction. If you desire a different deduction, make your adjustment to the ordered width and height dimensions before placing your order.

CLEARANCE INFORMATION

Panel Clearance

Bi-Fold panel-to-floor deduction is $\frac{5}{8}$ ". For Bypass panel-to-floor deductions, see page PB-26.

Support Brackets

Support brackets come standard with all outside mounted track configurations. Note that $1\frac{1}{2}$ " of clearance is required above the frame. See page PB-24 for illustrations of the support brackets.

Notes

- For stackback measuring guidelines, refer to PB-32 for Bi-fold stackback and PB-35 for Bypass stackback.
- When ordering track configurations to install on top of pre-existing molding, you must order longer top valance returns.



Bi-Fold Track Configurations

PALM BEACH™ POLYSATIN SHUTTERS

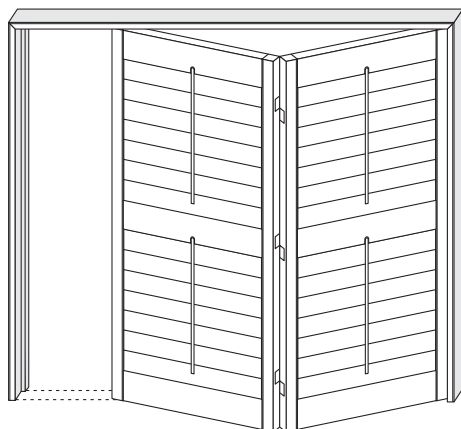
OVERVIEW

Bi-Fold track configurations use a top track on which the shutter panels glide to open and close. They are designed in multiples of two panels (two, four or six) which are hinged together in a variety of configurations.

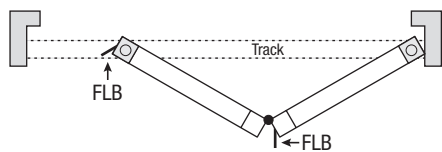
A maximum of eight panels can be hinged together. Bi-Fold track configurations are most commonly used in extra wide windows such as sliding doors and are typically ordered with 3-sided frames.

Note: When ordering a Bi-Fold track configuration, it is advised to order the optional bottom track to improve alignment and functionality.

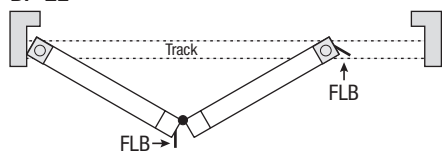
TWO PANELS



BF-2R



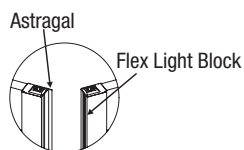
BF-2L



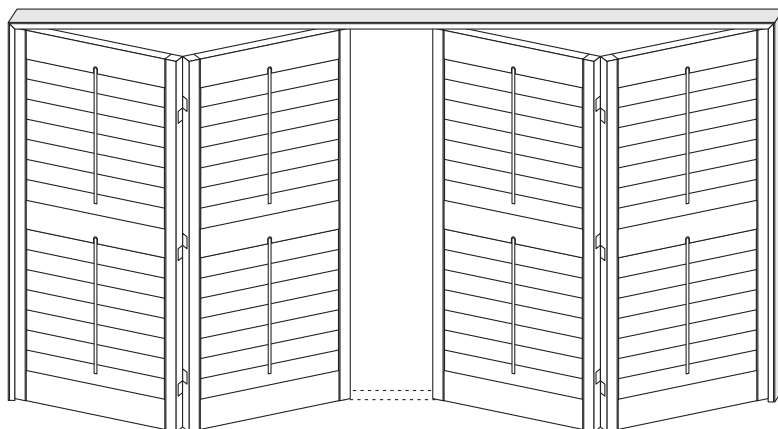
| ORDERED WIDTH | | |
|---------------|-----------------------------------|----------------------------------|
| Frame | Minimum | Maximum |
| BF | 26 ⁹ / ₁₆ " | 50 ¹ / ₂ " |
| WF | 24 ⁹ / ₁₆ " | 48 ¹ / ₂ " |

Legend

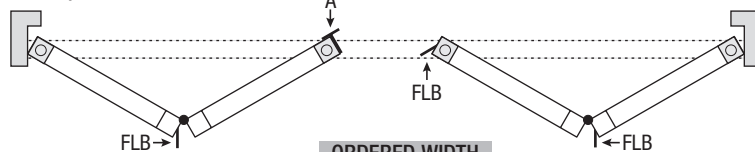
T = Astragal (A)
/ = Flex Light Block (FLB)



FOUR PANELS

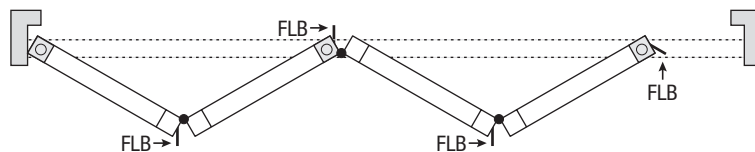


BF-2L/2R

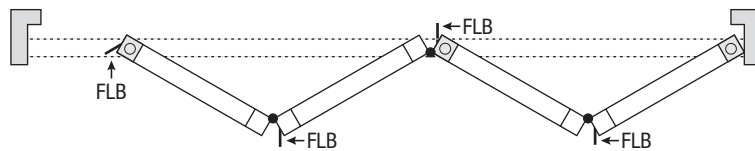


| ORDERED WIDTH | | |
|---------------|------------------------------------|----------------------------------|
| Frame | Minimum | Maximum |
| BF | 50 ¹⁵ / ₁₆ " | 98 ⁷ / ₈ " |
| WF | 48 ¹⁵ / ₁₆ " | 96 ⁷ / ₈ " |

BF-4L



BF-4R



| ORDERED WIDTH | | |
|---------------|------------------------------------|----------------------------------|
| Frame | Minimum | Maximum |
| BF | 50 ¹³ / ₁₆ " | 98 ³ / ₄ " |
| WF | 48 ¹³ / ₁₆ " | 96 ³ / ₄ " |

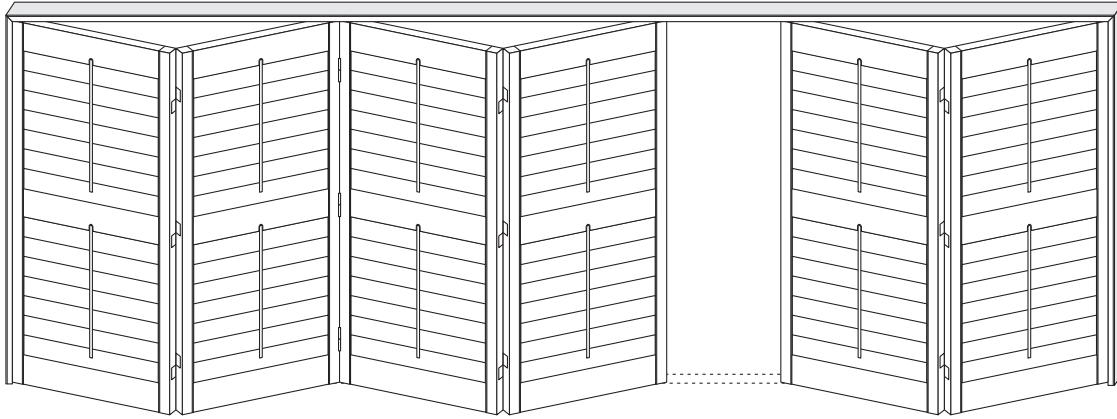
Note

- Minimum and maximum ordered widths are based on outside mount applications.

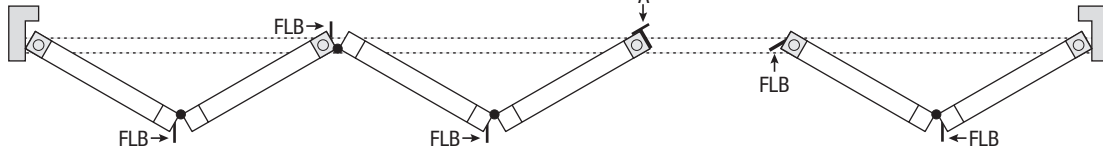
Bi-Fold Track Configurations

PALM BEACH™ POLYSATIN SHUTTERS

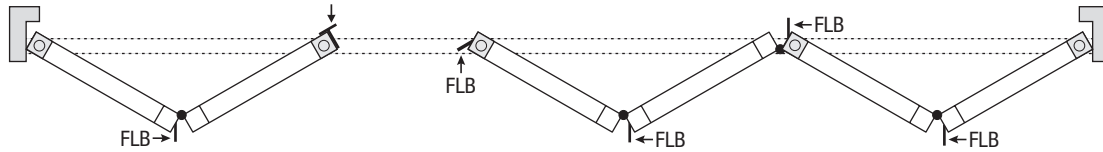
SIX PANELS



BF-4L/2R

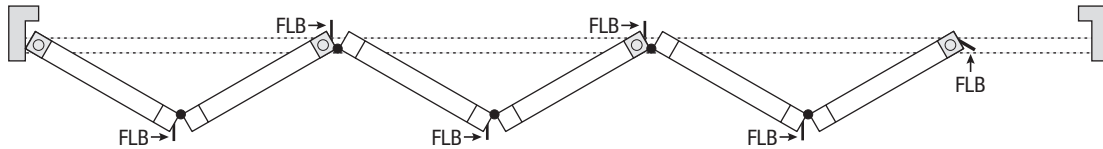


BF-2L/4R

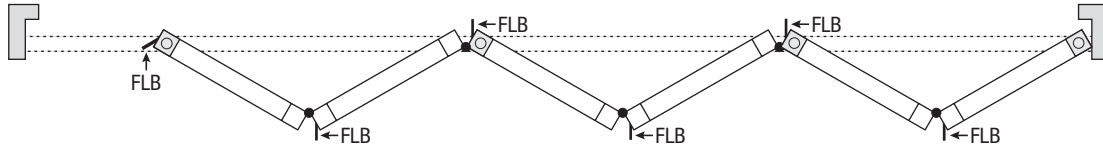


| ORDERED WIDTH | | |
|---------------|-----------------------------------|-----------------------------------|
| Frame | Minimum | Maximum |
| BF | 75 ³ / ₁₆ " | 147 ¹ / ₈ " |
| WF | 73 ³ / ₁₆ " | 145 ¹ / ₈ " |

BF-6L



BF-6R



| ORDERED WIDTH | | |
|---------------|-----------------------------------|---------|
| Frame | Minimum | Maximum |
| BF | 75 ¹ / ₁₆ " | 147" |
| WF | 73 ¹ / ₁₆ " | 145" |

Note

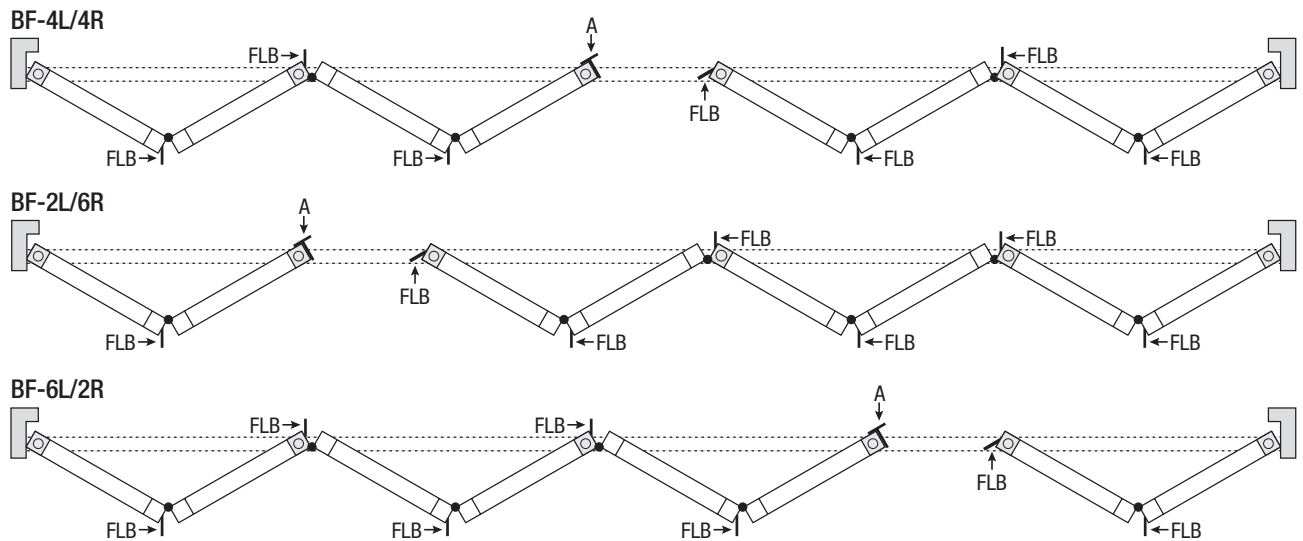
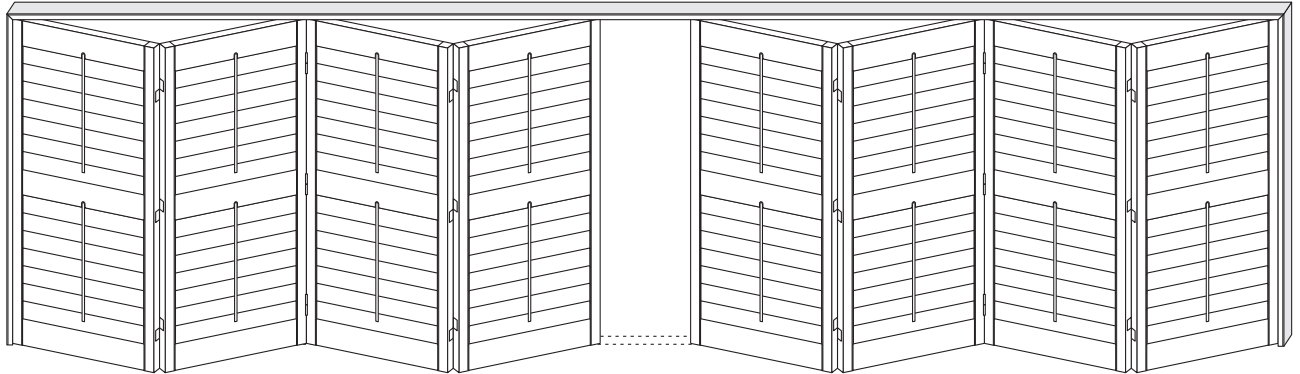
- Minimum and maximum ordered widths are based on outside mount applications.

Legend
 T = Astragal (A)
 / = Flex Light Block (FLB)

Bi-Fold Track Configurations

PALM BEACH™ POLYSATIN SHUTTERS

EIGHT PANELS



| ORDERED WIDTH | | |
|---------------|-----------------------------------|-----------------------------------|
| Frame | Minimum | Maximum |
| BF | 99 ⁵ / ₁₆ " | 195 ¹ / ₄ " |
| WF | 97 ⁵ / ₁₆ " | 193 ¹ / ₄ " |

Notes

- Minimum and maximum ordered widths are based on outside mount applications.
- Other multiple panel arrangements are possible, including ten and twelve panels. Please consult your Hunter Douglas fabricator.

Legend

T = Astragal (A)
/ = Flex Light Block (FLB)

Bi-Fold Track Configurations

PALM BEACH™ POLYSATIN SHUTTERS

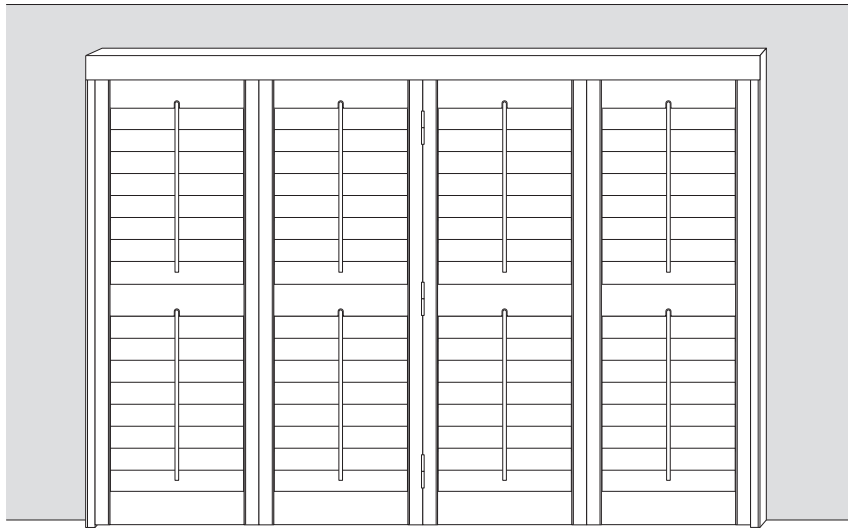
STACKBACK DESIGN

A stackback design enables the panels of a Bi-Fold track configuration to be pushed away from the opening and completely uncover it. This is achieved by extending the top frame and track a distance equal to 2" for each pivot point at the far ends of the installation, plus 4" per set of panels. A pivot point is the stationary location on the frame sides where panels are anchored and fold away from the opening. Examples: 4L has one pivot point on the left. 2L/2R has two pivot points, one on the left and one on the right.

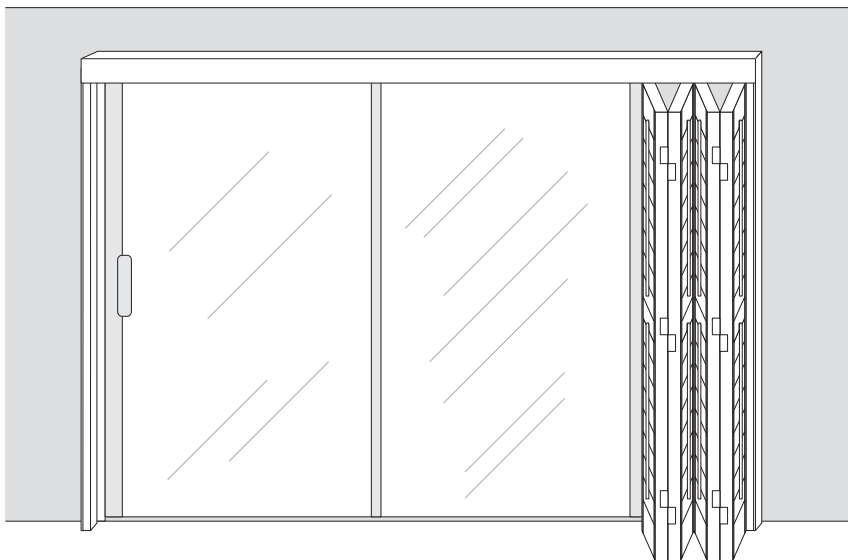
In the adjacent illustration, a 4-panel Bi-Fold track configuration is extended by the needed distance to stack the panels back. This design is usually considered when a customer desires more view and wall space is available.

Note: On a Bi-Fold stackback design, a portion of the wall is hidden behind the shutter panel and there may be limited louver operation.

Bi-Fold Stackback Design – Closed



Bi-Fold Stackback Design – Open



Bypass Track Configurations

PALM BEACH™ POLYSATIN SHUTTERS

OVERVIEW

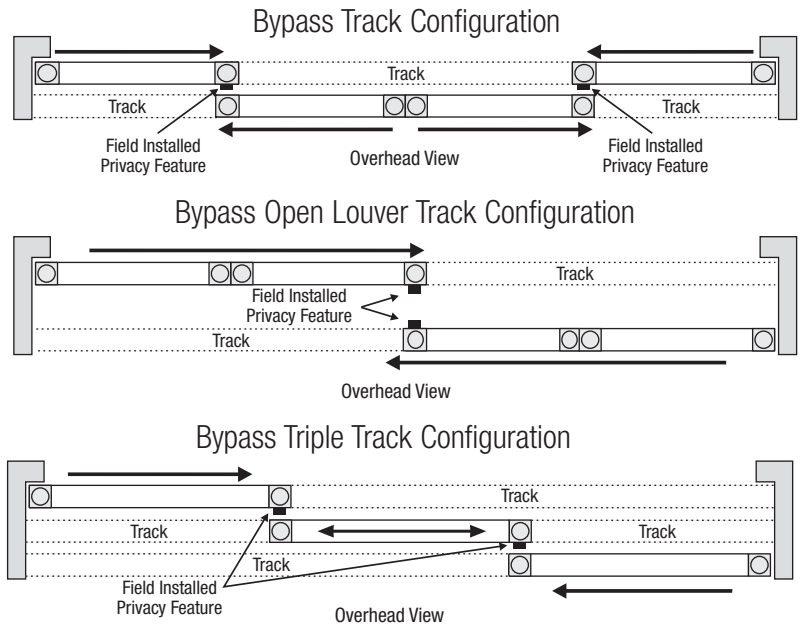
Shutter panels in Bypass and Bypass Open Louver track configurations are not hinged. Bypass track configurations use two or three tracks and floor guides on which the shutter panels glide to open and close. It is designed for multiple panels (two, three, four, five, six or eight) which are used individually or attached in sets in a variety of configurations. Discreet stile joiners are used to marry multiple panels together when ordered in sets.

Bypass track configurations are most commonly used in extra wide windows such as sliding doors and are typically ordered with 3-sided frames.

With Bypass track configurations, floor guides are used to hold the panels in alignment when operating the shutters or subjecting them to wind.

Privacy Feature

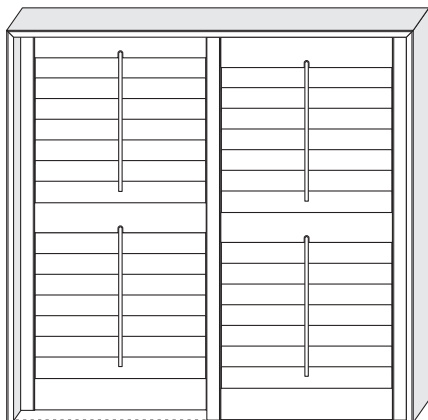
All Bypass track configurations come standard with a privacy and light blocking feature. This is a field installed feature.



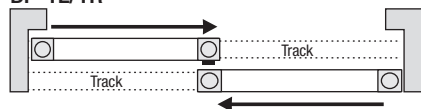
Notes

- Bypass panel overlaps of 1³/₈" are accounted for in minimum and maximum ordered widths.
- Ordered widths are based on outside mount applications.
- All panel configurations are available as standard Bypass or Bypass Open Louver track configurations.

TWO PANELS

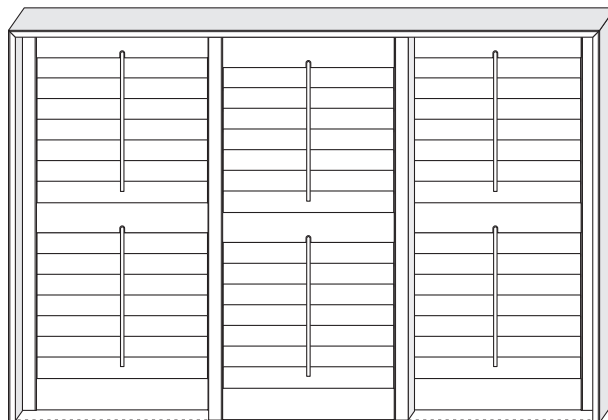


BP-1L/1R

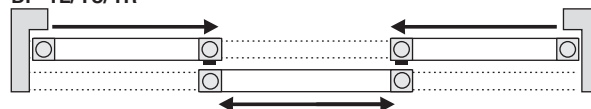


| ORDERED WIDTH | | |
|---------------|----------------------------------|----------------------------------|
| Frame | Minimum | Maximum |
| BP | 24 ⁵ / ₈ " | 72 ⁵ / ₈ " |
| WF | 22 ⁵ / ₈ " | 70 ⁵ / ₈ " |

THREE PANELS



BP-1L/1C/1R



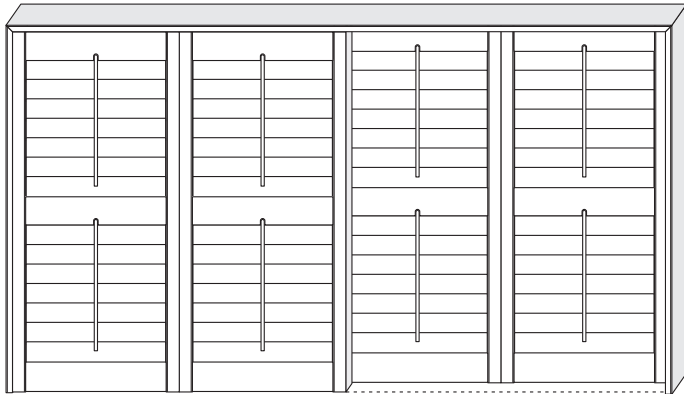
| ORDERED WIDTH | | |
|---------------|----------------------------------|-----------------------------------|
| Frame | Minimum | Maximum |
| BP | 35 ¹ / ₄ " | 107 ¹ / ₄ " |
| WF | 33 ¹ / ₄ " | 105 ¹ / ₄ " |

Available with two or three tracks.

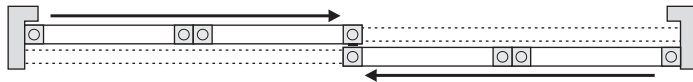
Bypass Track Configurations

PALM BEACH™ POLYSATIN SHUTTERS

FOUR PANELS

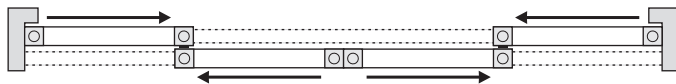


BP-2L/2R



| ORDERED WIDTH | | |
|---------------|----------------------------------|-----------------------------------|
| Frame | Minimum | Maximum |
| BP | 48 ³ / ₄ " | 144 ³ / ₄ " |
| WF | 46 ³ / ₄ " | 142 ³ / ₄ " |

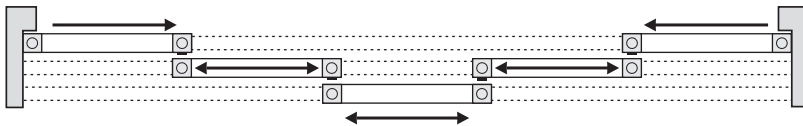
BP-1L/1C/1C/1R



| ORDERED WIDTH | | |
|---------------|----------------------------------|-----------------------------------|
| Frame | Minimum | Maximum |
| BP | 47 ¹ / ₄ " | 143 ¹ / ₄ " |
| WF | 45 ¹ / ₄ " | 141 ¹ / ₄ " |

FIVE PANELS

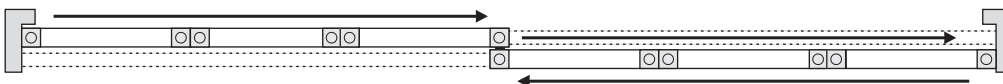
BT-1L/1M/1C/1M/1R



| ORDERED WIDTH | | |
|---------------|----------------------------------|-----------------------------------|
| Frame | Minimum | Maximum |
| BT | 56 ¹ / ₂ " | 176 ¹ / ₂ " |
| WF | 54 ¹ / ₂ " | 174 ¹ / ₂ " |

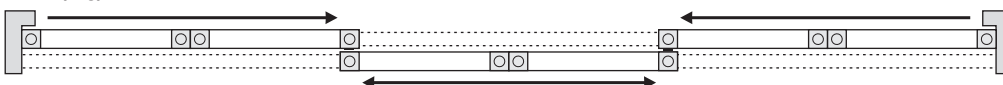
SIX PANELS

BP-3L/3R



| ORDERED WIDTH | | |
|---------------|----------------------------------|-----------------------------------|
| Frame | Minimum | Maximum |
| BP | 72 ⁷ / ₈ " | 216 ⁷ / ₈ " |
| WF | 70 ⁷ / ₈ " | 214 ⁷ / ₈ " |

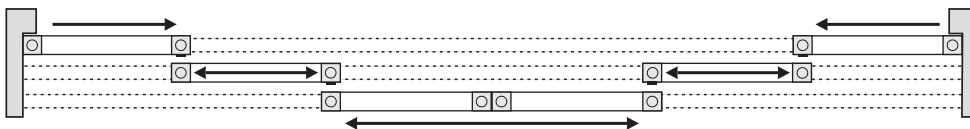
BP-2L/2C/2R



| ORDERED WIDTH | | |
|---------------|-----------------------------------|------------------------------------|
| Frame | Minimum | Maximum |
| BP | 71 ⁷ / ₁₆ " | 215 ⁷ / ₁₆ " |
| WF | 69 ⁷ / ₁₆ " | 213 ⁷ / ₁₆ " |

Available with two or three tracks.

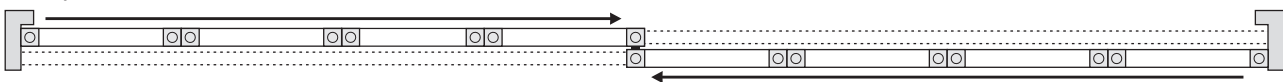
BT-1L/1M/1C/1C/1M/1R



| ORDERED WIDTH | | |
|---------------|----------------------------------|-----------------------------------|
| Frame | Minimum | Maximum |
| BT | 68 ¹ / ₂ " | 212 ¹ / ₂ " |
| WF | 66 ¹ / ₂ " | 210 ¹ / ₂ " |

EIGHT PANELS

BP-4L/4R



| ORDERED WIDTH | | |
|---------------|---------|---------|
| Frame | Minimum | Maximum |
| BP | 97" | 289" |
| WF | 95" | 287" |

Notes

- Minimum and maximum ordered widths are based on outside mount applications.
- Other multiple panel arrangements are possible, including ten and twelve panels. Please consult your Hunter Douglas fabricator.

Bypass Track Configurations

PALM BEACH™ POLYSATIN SHUTTERS

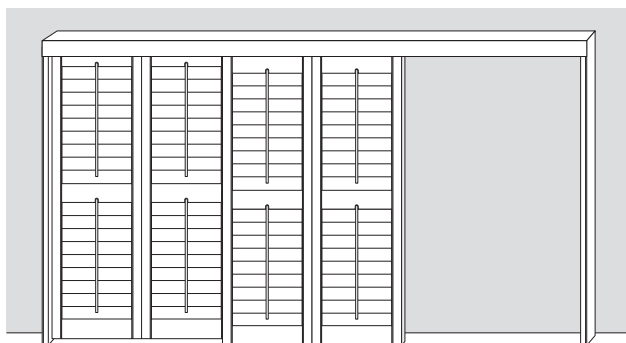
STACKBACK DESIGN

A stackback design enables both the front and rear panels of a Bypass track configuration to be slid away from the opening and completely uncover it. In the illustration below, a four-panel Bypass track configuration is extended by a distance equal to the width of two panels. This type of stackback configuration comes with design limitations. When the panels are closed, covering the glass, the valance and frame appear to be free floating on the wall, as seen in the illustration below. However, one or both of the side frames may be eliminated if the top frame abuts one or both walls, or is an inside mount or ceiling mount. This provides a very clean look to the installation but assumes proper mounting is available.

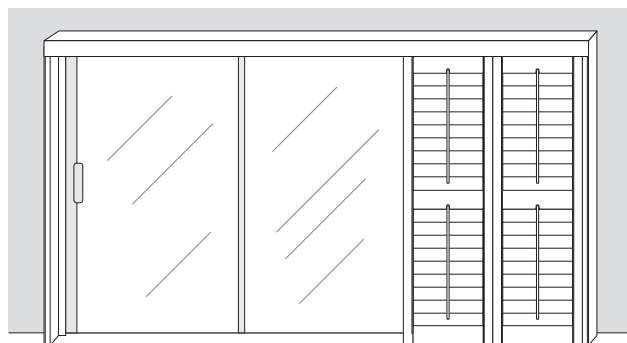
Note

- When ordering a Bypass configuration with stackback, you must provide both ordered width and stackback width. You must also indicate whether the stackback is to the left, right, or both left and right. This information is required to calculate correct panel widths including 1³/₈" overlaps.

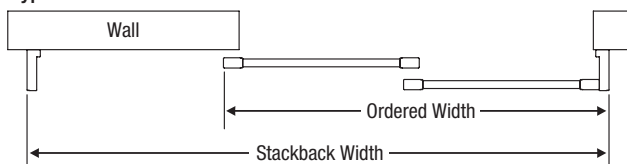
Bypass Stackback Design – Closed



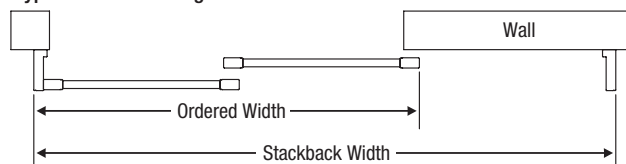
Bypass Stackback Design – Open



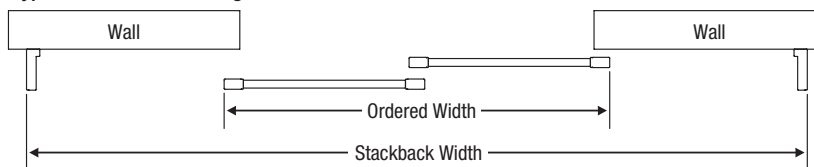
Bypass Stackback Left



Bypass Stackback Right



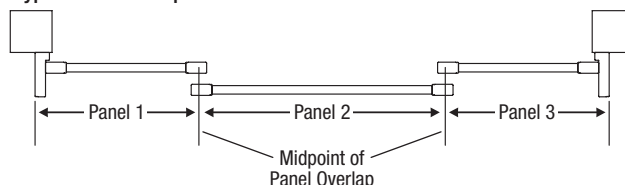
Bypass Stackback Left-Right



BYPASS TRACK UNEQUAL PANELS

As standard, panel widths will be equal within an opening. If varying panel widths are required, specify as unequal panels in special instructions on the order form and provide panel measurements as shown at right.

Bypass Track Unequal Panels





Window Coverings
 Ceilings
 Sun Control
 Façades

China
 Hong Kong
 India
 Indonesia
 Japan
 Korea
 Malaysia
 Philippines
 Singapore
 Taiwan
 Thailand
 Vietnam



Australia
 Europe
 Latin America
 North America



Hunter Douglas Asia Operations
 Tel: +603 5191 2020

www.hunterdouglas.asia



Copyright by Hunter Douglas.
 Technical data subject to change without notice.
 201006-4-1.0

®Registered trademark of Hunter Douglas